

# ***GENERAL PURPOSE ENGINE***

GCV520U  
GCV520R  
GCV530U  
GCV530R

**PARTS CATALOGUE**

**2**



GCV520U



GCV530U

---

FOREWORD INDEX

**1**

---

ENGINE GROUP

**2**

---

PART NUMBER INDEX

**3**

---

PART NAME INDEX

**4**

---



**Instruction for use of parts catalogue**

- **This parts catalogue was prepared based on the latest information available as of July 20, 2008.**
- See the parts catalogue news for any revision that is made after July 20, 2008.
- **Always specify the part number when ordering a part.**
- Check the model, type, serial numbers, color, maker, and the size as needed before ordering a part.
- Note that the illustrations (part drawings) can differ from the actual parts in shape. They are given just to help you to refer to the parts.
- **When modifications or additions to this parts catalogue are made, a revised edition will be issued at an appropriate time, with successively progressing revision numbers on the cover. We recommend obtaining such revisions in order to keep your parts catalogue up-to-date at all times. To check whether a parts catalogue revision has been issued, please contact your Honda distributor.**

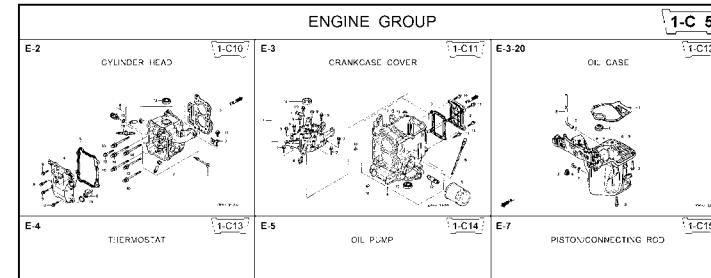
Initial version issue date June 10, 2005  
**Honda Motor Co., Ltd.**

**CONTENTS**

	Page	Address No.
● Instruction for use of parts catalogue .....	1	B 1
● How to refer to the part information .....	2	B 2
● Part catalogue structure .....	3	B 3
● When the parts were revised.....	4	B 4
● Abbreviations used in the parts catalogue.....	4	B 4
● How to check the part block and serial numbers.....	5	B 5
● Models, parts catalogue codes and applicable serial numbers .....	6	B 6
● Features of each type.....	7	B 7
● Fuel hose, general purpose hoses and vinyl hose.....	8	B 8
● FLAT RATE SERVICE TIME .....	9	B 9
● Illustrated index .....	14	B14
● ENGINE GROUP.....	16	C 1
● PART NO. INDEX.....	45	E 1
● PART NAME INDEX.....	47	F 1

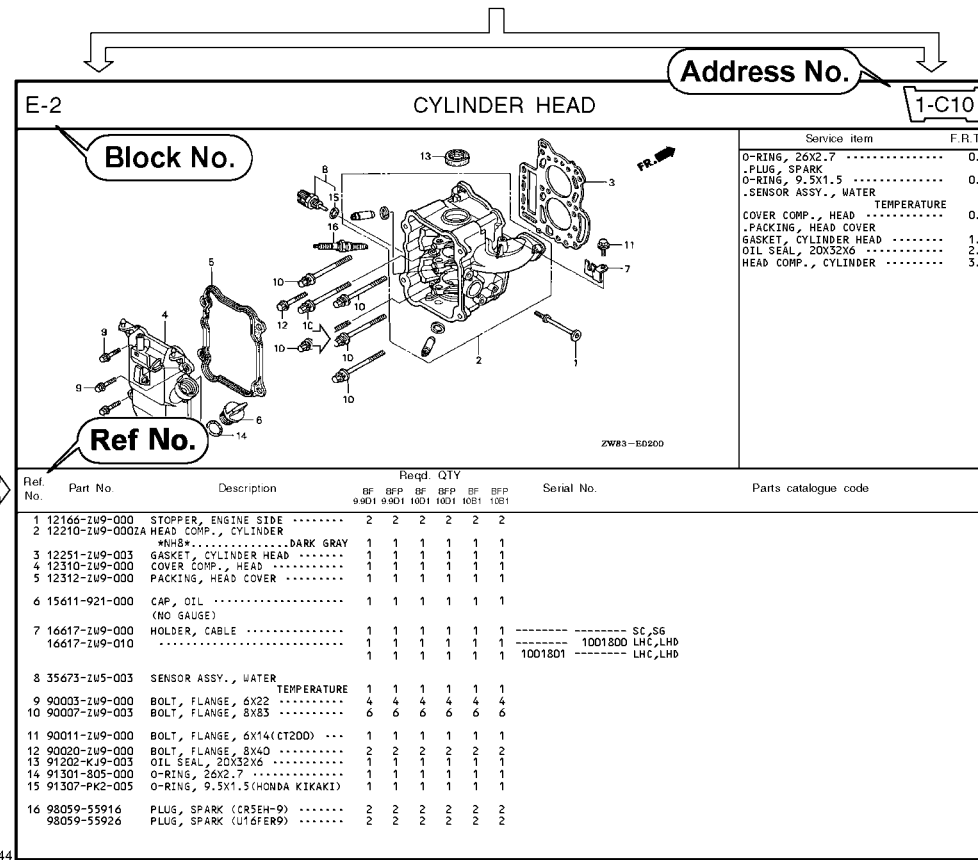
How to refer to the part information

A Reference with "Illustrated index"



B Reference with "Part number index"

PART NO. INDEX					
Part Number	Address	Page	Ref.	Part Number	Address Page
06000				15212-ZW9-000	1-C14 3C
06316-ZW9-000	1-69	88	1	15220-ZW9-003	1-C14 3C
11000				15332-ZW9-000	1-E8 55
11300-ZW9-405	1-C11	27	1	15332-ZW9-A30	1-E11 5E
11300-ZW9-406	1-C11	27	1	15400-PFB-004	1-C11 27
11340-ZW9-000	1-C11	27	2	15422-ZW9-000	1-C14 3C
11342-ZW9-000	1-C11	27	3	15473-881-000	1-C14 3C
11381-ZW9-003	1-C12	28	1	15474-ZW9-000	1-C14 3C
				15611-921-000	1-C10 2E
				15655-ZW9-000	1-C11 27
				16000	
12000				16010-ZV4-005	1-D4 3E
12000-ZW9-405ZA	1-C11	27	4	16011-ZV4-005	1-D4 3E
12155-ZV4-A00	1-C13	29	1	16013-ZW9-003	1-D4 3E
12166-ZW9-000	1-C10	26	1	16016-ZW9-003	1-D4 3E
12209-GB4-681	1-C16	32	1	16016-ZW9-721	1-D4 3E
12210-ZW9-405ZA	1-C10	26	2	16023-ZW9-003	1-D4 3E
12216-ZE2-300	1-E8	55	1	16024-ZV4-650	1-D4 3E
	1-E11	58	1	16028-ZV4-650	1-D4 3E



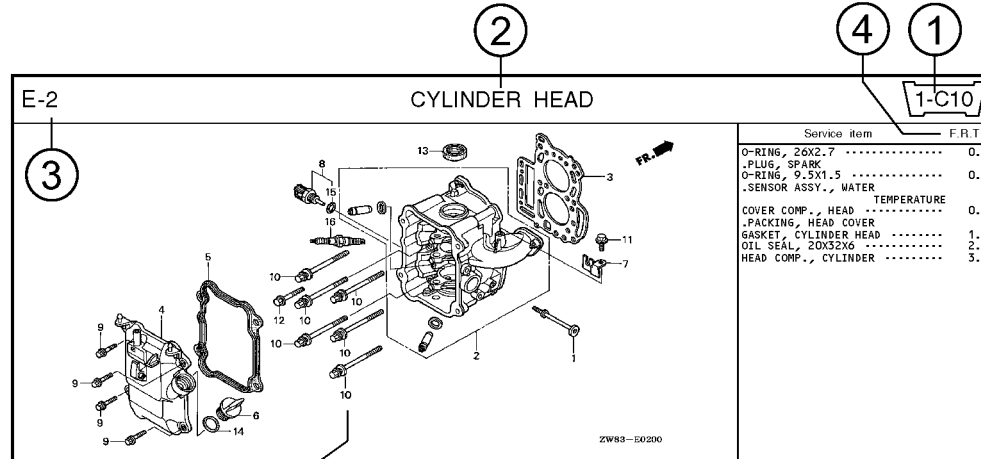
C Reference with "Part name index"

PART NAME INDEX					
Part name	Address	Page	Ref.		
[ A ]					
ABSORBER, FUEL	1-E15	62	5	BOLT,	
ARMATURE COMP.	1-D11	43	7	BOLT,	
ARM COMP., LINK JOINT	1-G6	85	18	BOLT,	
ARM COMP., SHIFT LINK	1-G6	85	14	BOLT,	
ARM COMP., TILT	1-F15	79	20		
ARM, FUEL PUMP ROCKER	1-C16	32	4		
ARM, REVERSE LOCK	1-F15	79	18		
ARM, SHIFT LINK	1-F11	74	7		
ARM, STOPPER	1-D1	33	12	BOLT,	
ARM, THROTTLE REMOTE	1-F11	74	6		
ARM, VALVE ROCKER	1-C16	32	3		
[ B ]					
BAG, TOOL, 160MM	1-G5	84	10		
BAND	1-G6	86	37		
BAND B1, WIRE	1-F6	69	1		
BAND, CORD	1-F3	67	18	BOLT,	
BAND, TUBE CLIP, 11MM	1-E15	63	20		
BAND, TUBE CLIP, 12.5MM	1-E15	63	19	BOLT,	

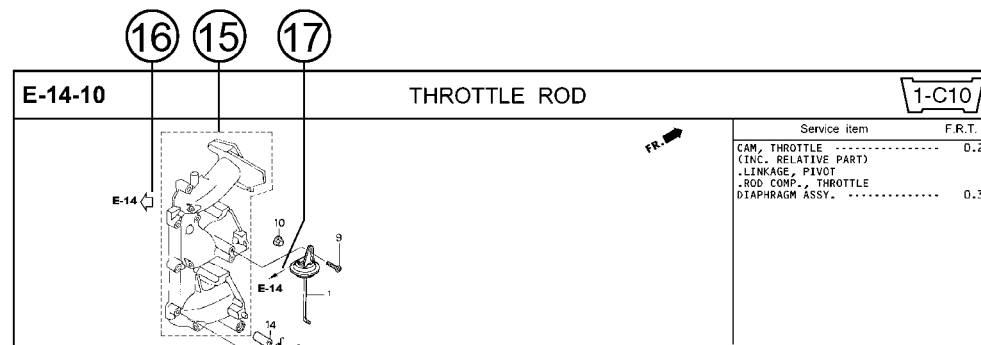
Page No.

2008.09.20 E

**Part catalogue structure**



Ref. No.	Part No.	Description	Reqd. QTY						Serial No.	Parts catalogue code
			BF 9/9D1	BFP 9/9D1	BF 10D1	BFP 10D1	BF 10B1	BFP 10B1		
1	12166-ZW9-000	STOPPER, ENGINE SIDE	2	2	2	2	2	2		
2	12210-ZW9-000ZA	HEAD COMP., CYLINDER *NHS* ..... DARK GRAY	1	1	1	1	1	1		
3	12251-ZW9-003	GASKET, CYLINDER HEAD	1	1	1	1	1	1		
4	12310-ZW9-000	COVER COMP., HEAD	1	1	1	1	1	1		
5	12312-ZW9-000	PACKING, HEAD COVER	1	1	1	1	1	1		
6	15611-921-000	CAP, OIL (NO GAUGE)	1	1	1	1	1	1		
7	16617-ZW9-000	HOLDER, CABLE	1	1	1	1	1	1	SC,SG	
	16617-ZW9-010		1	1	1	1	1	1	1001800 LHC,LHD	



- ① **Address number**
  - Address No. is provided (in place of the page No.) to help you refer to the part with the part No. or part name.
- ② **Block title** ③ **Block number**
- ④ **Service item/Flat rate time**
- ⑤ **Reference number**
  - Title number marked with the parenthesis or parentheses indicates that it continues from the previous page.
- ⑥ **Part number** ⑦ **Honda color code**
- ⑧ **Description**
- ⑨ **Assemblies**
  - Sections framed with broken lines in the exploded view drawings are available as complete assemblies. (Their individual parts can also be obtained.)
- ⑩ **Color description**
- ⑪ **Note**
  - Notes are shown with the parentheses in the part name column.
- ⑫ **Required quantity**
  - Required QTY shown in the parenthesis or parentheses indicates the optional part.
  - Required QTY marked with "N" Indicates the optional part that should be selected as needed.
  - Required QTY indicates the number of the part used in the block.
- ⑬ **Serial number**
- ⑭ **Type**
  - When the type column is blank, it indicates that the part is applicable to all types.
  - As the type of the actual unit may differ from the "parts catalogue, type" please refer to "Models, types and applicable serial numbers" for confirmation.
- ⑮ **[Dotted box]**
  - Parts enclosed within a dotted line [ ] are covered in a different block.
- ⑯ **[Hollow arrow]**
  - A hollow arrow [ ] indicates the block No. for the parts enclosed within a dotted line [ ] .
- ⑰ **[Solid arrow]**
  - A solid arrow [ ] indicates the block No. the part in question is connected to.

When the parts were revised

Abbreviations used in the parts catalogue

1



Be sure to check the serial number!!



Ref. No.	Part No.	Description	Reqd. QTY						Serial No.
			BF 99D1	BFP 9.9D1	BF 10D1	BFP 10D1	BF 10B1	BFP 10B1	
1	12166-ZW9-000	STOPPER, ENGINE SIDE .....	2	2	2	2	2	2	
2	12210-ZW9-000ZA	HEAD COMP., CYLINDER *NHS* .....	1	1	1	1	1	1	
3	12251-ZW9-003	GASKET, CYLINDER HEAD .....	1	1	1	1	1	1	
4	12310-ZW9-000	COVER COMP., HEAD .....	1	1	1	1	1	1	
5	12312-ZW9-000	PACKING, HEAD COVER .....	1	1	1	1	1	1	
6	15611-921-000	CAP, OIL (NO GAUGE) .....	1	1	1	1	1	1	
7	16617-ZW9-000	HOLDER, CABLE (###) .....	1	1	1	1	1	1	SC, SG LHC, LHD LHC, LHD
	16617-ZW9-010	.....	1	1	1	1	1	1	

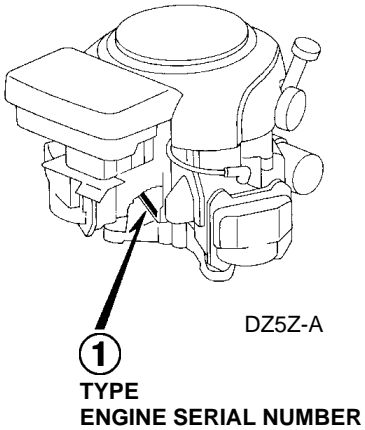
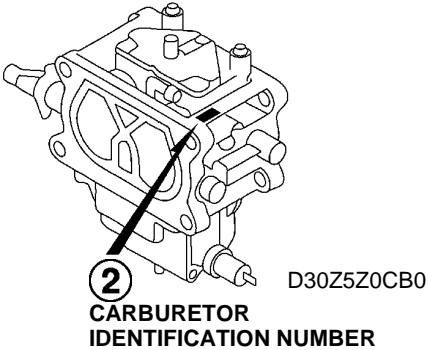
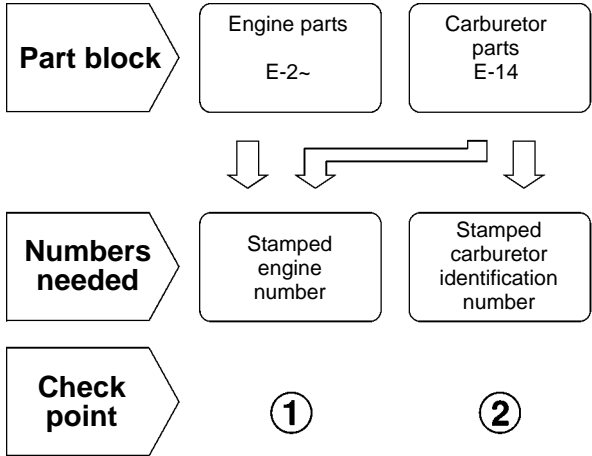
The number has been used from the initial model without revision. When shown at the left side, it is applicable to the models of No.1001801 and the subsequent numbers. When shown at the right side, it is applicable to the models up to No.1001800.

• The parts listed with "###" at the end of the parts name have limited supply period (parts not for sale).

• The following abbreviations are used in the parts name column.

- |  |                             |
|--|-----------------------------|
| A ..... Ampere                               | FR. ....Front               |
| A.C. .... Alternating current                | IN. ....Inlet               |
| ASSY. .... Assembly                          | L (100L) .Link (100 Links)  |
| AT. .... Automatic transmission              | L. ....Left                 |
| C.D.I. .... Capacitive discharge ignition    | MM .....Millimeter          |
| COMP. ... Complete                           | MT. ....Manual Transmission |
| D.C. .... Direct current                     | P.T.O. ....Power take off   |
| EX. .... Exhaust                             | R. ....Right                |
| G.F.C.I ... Ground fault circuit interruptor | RR. ....Rear                |
| HEX. .... Hexagonal                          | STD. ....Standard           |
| H.S.T. .... Hydrostatic transmission         | T (22T) ...Tooth (22 Teeth) |
|  | V ..... Volt                |
|  | W .....Watt                 |

How to check the part block and serial numbers





### Models, parts catalogue codes and applicable serial numbers

- Models, parts catalogue codes and applicable serial Nos. given in this parts catalogue can be identified as follows.

Model	Type	Parts catalogue type	Applicable engine serial No.	Applicable carburetor identification No.
GCV520U	CEE9	CEE9	GJABK-1000001~	BW04B C
	QEA1	QEA1		BW04A C
	QEA9	QEA9		
	SEE4	SEE4		
	WEE1	WEE1		BW04B C
GCV520R	CEE9	CEE9		
	WEE1	WEE1		
GCV530U	AEE1	AEE1	GJADK-1000001~	BW02B C
	CEE9	CEE9		BW02A C
	PEE9	PEE9		
	QEA1	QEA1		
	SEE2	SEE2		
GCV530R	AEE1	AEE1		BW02B C
	CEE9	CEE9		
	PEE9	PEE9		
	QEA1	QEA1		BW02A C
	SEE2	SEE2		BW02B C

\* Of carburetor identification numbers, only the portions underlined in the example below are used for registration.

BW04B C

Features of each type

- See the following table for the features of each type. (Items in brackets are optional)

Model		GCV520U					GCV520R	
		CEE9	QEA1	QEA9	SEE4	WEE1	CEE9	WEE1
Specifications	Type							
Oil filter cartridge		●					●	
Recoil starter spacer		●					●	
Muffler				●				
Exhaust pipe				●				
Exhaust pipe (Flange)				●				
Charge coil	(12V-3A)		●	●				
	(12V-12A)	●			●		●	
	(12V-18A)					●	●	

Model		GCV530U					GCV530R				
		AEE1	CEE9	PEE9	QEA1	SEE2	AEE1	CEE9	PEE9	QEA1	SEE2
Specifications	Type										
Oil filter cartridge			●	●				●	●		
Recoil starter spacer			●	●				●	●		
Muffler											
Exhaust pipe											
Exhaust pipe (Flange)											
Charge coil	(12V-3A)				●					●	
	(12V-12A)	●		●		●	●		●	●	
	(12V-18A)		●					●			

## Fuel hose, general purpose hoses and vinyl hose

- The standard part fuel hose, general purpose hose and vinyl hose may be substituted by the coiled bulk part.
- When ordering the standard part fuel hose, general purpose hose and vinyl hose use the bulk part number written in the parts catalog in brackets ( ) underneath the part name.
- When exchanging the hose, cut and use at the specified length as mentioned in the part name.  
(For the method of cutting the bulk part, and method of filling out orders etc., please refer to the instructions issued with the bulk part.)

### Bulk part number of fuel hose, general purpose hose and vinyl hose.

Example: 9 5 0 0 1 - 7 5 0 0 1 - 5 0 M

**Bulk part number:**  
Refers to the bulk part.

**Marking code (fuel hose and general purpose hose)**

**Change code (Vinyl hose)**

Indicates number mark or change sequence, however, the code for the bulk part must be strictly 0 (zero).

**Types of code:**

- Fuel hose
  - 2: Red outside braid (3 mm inside dia. only)
  - 5: Black inside braid
  - 3: Red (3 mm inside dia. only)
  - 4: Ash gray with red stripe (3 mm inside dia. only)
  - 6: Black

- General hose
  - 1: Ash gray
  - 2: Ash gray
  - 3: Black
  - 5: Black

- Vinyl hose
  - 1: Clear
  - 2: Black
  - 3: Light red
  - 6: Light red
  - 7: Pale black

**Lengths:**

- 001: 1 m (standard)
  - 003: 3 m
  - 008: 8 m
- Application or specification of some parts is not settled.

**I.D code: (fuel hose and general purpose hose)**

- |            |                    |                    |                             |                             |
|------------|--------------------|--------------------|-----------------------------|-----------------------------|
| 30: 3.0 mm | 50: 5.0 mm         | 70: 7.0 mm         | 11: 11 mm                   | 12: 12 (outside dia. 17) mm |
| 35: 3.5 mm | 55: 5.3 mm, 5.5 mm | 75: 7.3 mm, 7.5 mm | 91: 12 (outside dia. 15) mm | 14: 14 mm                   |
| 45: 4.5 mm | 65: 6.5 mm         | 80: 8.0 mm         | 92: 12 (outside dia. 16) mm | 17: 17 mm                   |

**ID./OD. code: (vinyl hose)**

- |                         |                          |                           |                           |                           |
|-------------------------|--------------------------|---------------------------|---------------------------|---------------------------|
| 01: ID. 2.9, OD. 6.8 mm | 12: ID. 5.0, OD. 7.0 mm  | 21: ID. 8.0, OD. 9.0 mm   | 37: ID. 11.0, OD. 15.0 mm | 50: ID. 16.0, OD. 19.0 mm |
| 03: ID. 3.0, OD. 6.0 mm | 10: ID. 5.0, OD. 8.0 mm  | 23: ID. 8.0, OD. 12.0 mm  | 38: ID. 12.0, OD. 13.0 mm | 55: ID. 17.5, OD. 20.5 mm |
| 05: ID. 3.5, OD. 6.5 mm | 11: ID. 5.0, OD. 9.0 mm  | 25: ID. 9.0, OD. 11.0 mm  | 39: ID. 12.0, OD. 14.0 mm | 60: ID. 22.0, OD. 27.0 mm |
| 07: ID. 4.0, OD. 7.0 mm | 14: ID. 6.0, OD. 9.0 mm  | 27: ID. 9.0, OD. 13.0 mm  | 40: ID. 12.0, OD. 16.0 mm |                           |
| 08: ID. 4.5, OD. 6.5 mm | 17: ID. 7.0, OD. 9.0 mm  | 33: ID. 10.0, OD. 14.0 mm | 43: ID. 13.0, OD. 15.0 mm |                           |
| 09: ID. 4.5, OD. 8.0 mm | 19: ID. 7.0, OD. 11.0 mm | 36: ID. 11.0, OD. 13.0 mm | 45: ID. 14.0, OD. 18.0 mm |                           |

**Hose type:**

- 1: Fuel hose
- 3: Vinyl hose
- 5: General hose

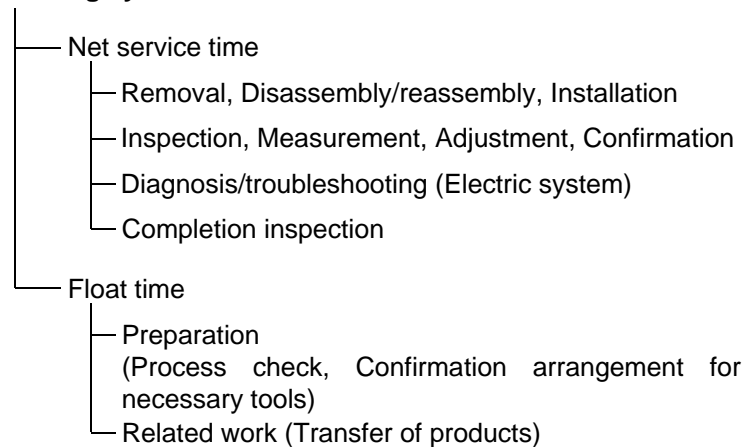
⊙ **CAUTION: It is DANGEROUS to confuse the fuel hose with the general purpose hose or vinyl hose.**

Never use a general purpose hose or vinyl hose in place of a fuel hose or vice versa. Always use the correct bulk part in the parts catalogue, according to the service manual or the instructions issued with the bulk part.

## FLAT RATE SERVICE TIME

Flat rate service time (FRT) means the standard time required to service a product, which is listed in this manual to help the dealers control the actual working process and calculate the service charge by using it as a guide.

### FRT setting system



\* Float time is set by multiplying the net service time by a given coefficient.

### Editorial style

The service items shown in the text are listed with the exchange work time for the repair sales parts as the subject. Other representative service items not using repair parts (removal/installation, adjustment, inspection/measuring, and other work) are listed collectively in the list in the preface, classified according to the work.

### FRT setting standard

- Decimal system (in unit of 0.1) is adopted to set FRT as it is convenient to calculate the wage.  
Example: (0.1) → 6 minutes, (0.2) → 12 minutes  
[Labor cost per hour] x [FRT] = [Wage]
- FRT is set with a hand tool.
- Service items and FRT can be subject to change depending on development of tools and service equipment and improvement in service procedure.

**Work procedure**

- As the work procedure is set with the work time according to the method in the separate Service Manual, refer to this Manual as required.
- Work methods permitting servicing in the shortest time still permitting assurance of safe work and product warranty are used for the setting of service items not listed in the Service Manual.
- Work basically is to be performed by one person, and when two or more people are required, setting is done as the total time for the number of people.
- The set value for the technological level of the workers uses a person with three years of experience in the repair of Honda products as the standard.
- Special tools and service equipment used to set FRT are those specified or recommended in Service Manual.

**Service item whose FRT is not presented**

- Accessories and service parts that are not listed to use in this manual.
  - Locations with little aging deterioration or breakage during normal use.
  - Service work that can be finished by one touch.
  - Service work that is seldom done (i.e. extremely small causes of trouble and service frequency).
  - Products and parts whose location for installation differs according to its status of use and application.
- \* When FRT is not presented, please calculate wages based on appropriate actual work time.

**Operation not included of FRT**

- Oil and coolant water draining, Waiting time for warming up operation and etc..
- Additional operation that involves removal/installation of standard exterior equipment.
- Indirect time spent for service by visiting the customer, trade-in, and delivery.
- Indirect time required for ordering and delivery of parts.
- Cost for grease, adhesive agent, etc. used for service work.

**Explanation of FRT by using an example  
(The example may differ from the actual presented items)**

Ref. No.	L.O.N.	(Relative ref. Number) Description	F.R.T.
①	1111L1	④ (1, 3, 4, 7) VALVE, INTAKE ..... 4.1	②
②		• NOTE: OHV type ⑥	⑦
③	1111L1A	• Includes: Engine removal and installation	
		⑤ One head (intake all) add ..... 1.4	

- ① Reference No. of the illustration of part that shows location of the replacement work.
- ② FRT is an abbreviation of Flat Rate Time indicating the standard service time required for the replacement.
- ③ LON is an abbreviation of Labor Operation Number, and it is a classification of the service items by the work unit code.

The same operation code is used regardless of the models.

Standard operation is indicated with 6 digits code, and additional operation is indicated with 7 digits code.

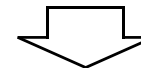
- ④ Indicating the intake valve replacement and FRT4.1.
- ⑤ Indicating FRT1.4 that will be added when additional operation (whole intake side of one cylinder head) is done in association with intake valve replacement.

- ⑥ Indicating work condition or application condition of the service item.
- ⑦ Indicating work contents that are included in the service item.
- ⑧ Indicating a reference No. whose operation and time are the same as FRT4.1 for the intake valve.

(The application range is limited to the service items without an LON setting within a same block.)

**How to refer to the service item by using the sample  
(intake valve replacement)**

Open to the page of the block where the intake valve's spare part illustration is shown.



Look for the intake valve illustration, and refer to the service item and FRT that agree with the reference No.

Indication mark for the listing of service items that continues to the following page

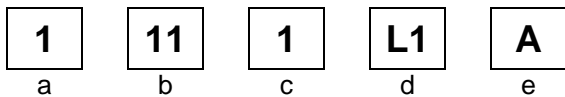
Ref. No.	L.O.N.	(Relative ref. Number) Description	F.R.T.
2	1111L1	VALVE, INTAKE .....	4.1
	.	.	.
	.	.	.

+  
Mark indicated at the last line.

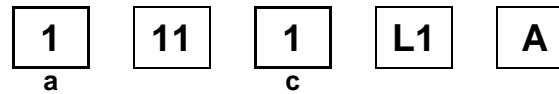
Indication of the block with no setting of FRT

Ref. No.	L.O.N.	(Relative ref. Number) Description	F.R.T.
<b>NO INFORMATION .....</b>			

• LON code system



- a) Category code..... Engine
- b) Location/function code ..... Engine upper
- c) Operation code..... Replace
- d) Operation sequence number (Unit code can be shown with alphabet)  
..... Intake valve  
(No regular rule of code)
- e) Additional code ..... One head (intake all)  
(No regular rule of code)



a) Category codes and classification

Code	Category
1	Engine
2	Power drive
3	Fuel & Exhaust
4	Frame & Body
5	Steering
6	Electrical
7	Axle & Brake
8	Control system
9	-
0	Attachments

c) Operation codes and classification

Code	Operation category
1	Replace, Removal/Installation, Change
2	Overhaul
3	Adjust, Rotation
4	(Paint-related work: Top-coat)
5	Test, Inspect/diagnose, Measurement
6	(Overhaul-related work: Rebore)
7	(Overhaul-related work: Reseal)
8	(Resurface)
9	(Paint-related work: Refinish)
0	Repair, Cleaning, Air bleeding

Major service items without using spare parts

- (1) Removal/Installation, (2) Adjustment,  
(3) Inspection/Measurement, (4) Overhaul, (5) Other work

E: Engine, T: Transmission, D: Drive system,  
B: Body and related parts

### (2) Adjustment

	LON	DESCRIPTION	FRT
E	1113A1	<b>VALVE CLEARANCE-ADJUSTMENT</b> NOTE: For 1 product	0.8
	1163A0	<b>CONTROL, THROTTLE/GOVERNOR-ADJUSTMENT</b>	0.3
	3113A2	<b>CARBURETOR IDLE-ADJUSTMENT</b>	0.3

### (3) Inspection, Measurement, Cleaning

	LON	DESCRIPTION	FRT
E	1105A0	<b>ENGINE OIL-INSPECTION</b>	0.1
	3120A0	<b>AIR CLEANER-CLEANING</b> INCLUDES: Air cleaner-inspection	0.2
	3130A0	<b>SPARK ARRESTER-CLEANING</b> INCLUDES: Spark arrester-inspection	0.2
	6140A0	<b>SPARK PLUG-ADJUSTMENT/CLEANING</b> INCLUDES: Spark plug check NOTE: For 1 product	0.2

### (4) Overhaul

Work condition: The required Measurements, inspections, adjustments, and cleaning/washing of each part are performed, including the main body removal/installation work and the replacement of defective parts.

	LON	DESCRIPTION	FRT
E	3112A0	<b>CARBURETOR-OVERHAUL</b> INCLUDES: All necessary adjustment	0.7

### (5) Other work

	LON	DESCRIPTION	FRT
E	1101E1	<b>ENGINE OIL-CHANGE</b> INCLUDES: Engine oil-inspection	0.1



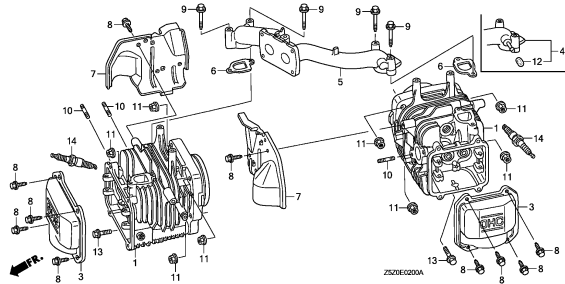
# ENGINE GROUP

**B14**

**E-2**

CYLINDER

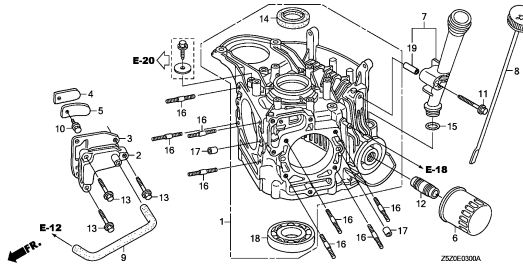
**C 1**



**E-3**

CRANKCASE

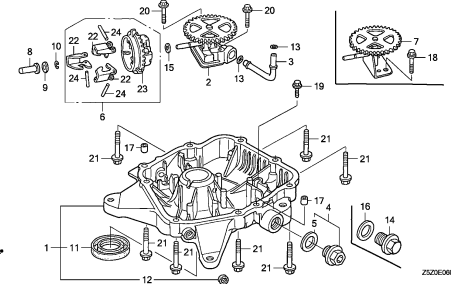
**C 3**



**E-6**

OIL PAN

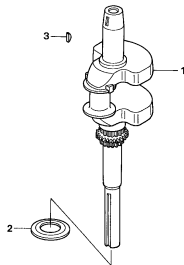
**C 4**



**E-7**

CRANKSHAFT

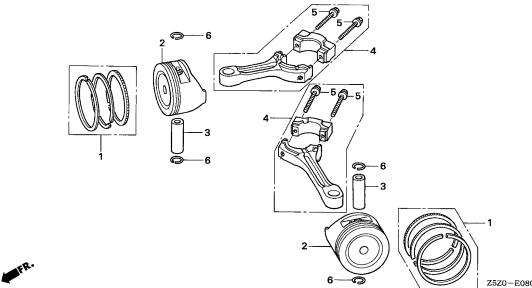
**C 5**



**E-8**

PISTON/CONNECTING ROD

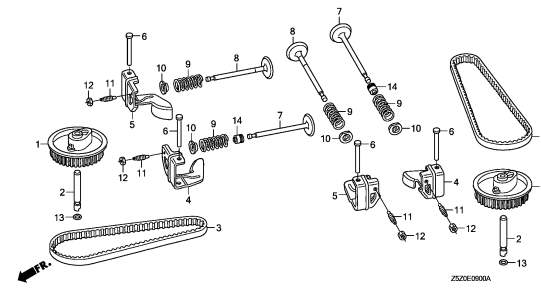
**C 6**



**E-9**

CAMSHAFT

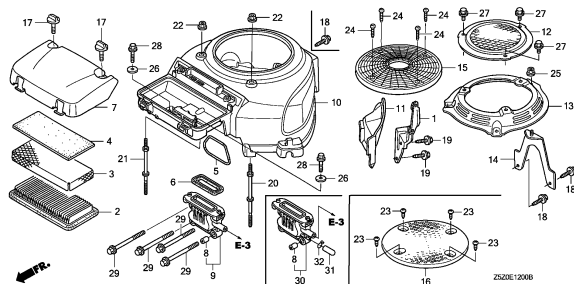
**C 7**



**E-12**

FAN COVER

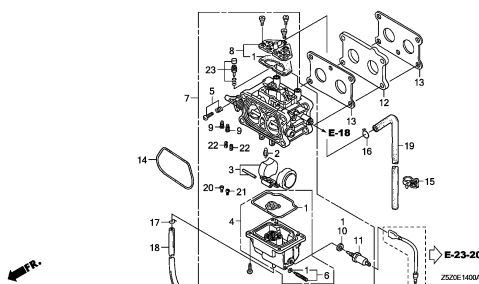
**C12**



**E-14**

CARBURETOR

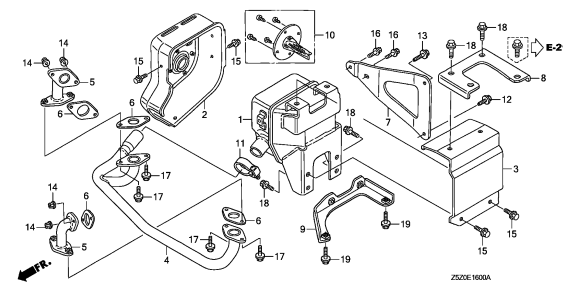
**C15**



**E-16**

MUFFLER

**D 1**



**2**

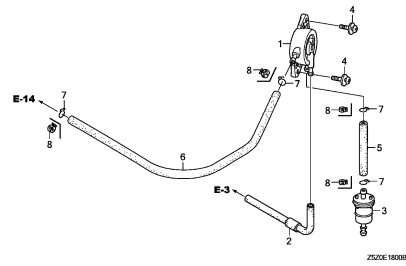
# ENGINE GROUP

**B15**

**E-18**

**FUEL PUMP**

**D 2**

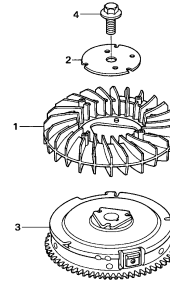


ZS20E1800B

**E-19**

**FLYWHEEL**

**D 4**

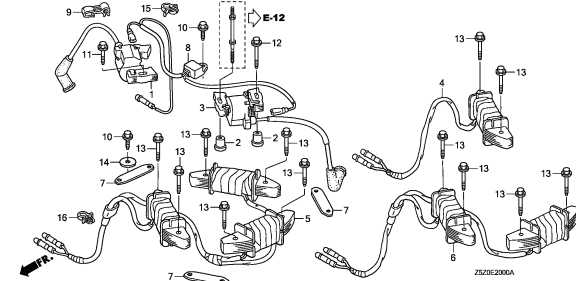


ZS20-01900

**E-20**

**IGNITION COIL**

**D 5**

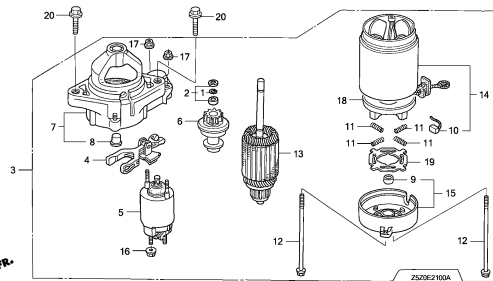


ZS20E200A

**E-21**

**STARTER MOTOR**

**D 6**

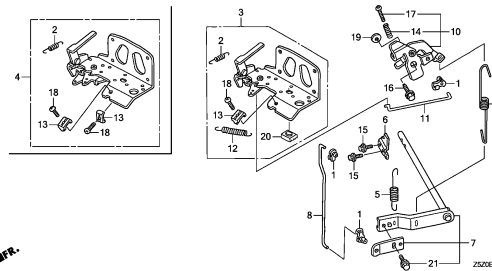


ZS20E210A

**E-22**

**CONTROL**

**D 8**

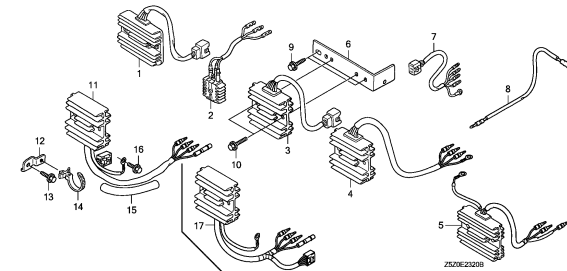


ZS20E220A

**E-23-20**

**REGULATOR RECTIFIER**

**D10**

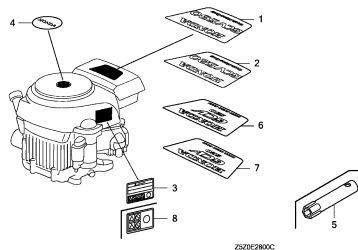


ZS20E2320B

**E-28**

**LABEL/TOOL**

**D12**

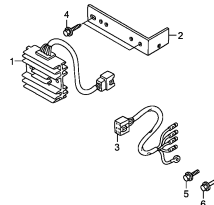


ZS20E1900C

**E-40**

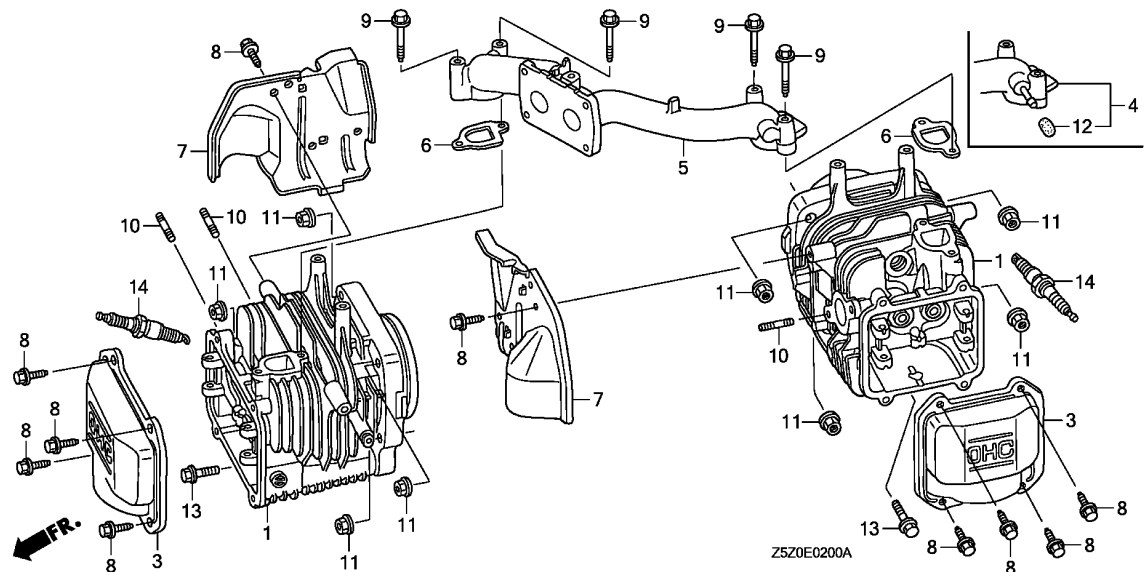
**OTHER PARTS(REGULATOR RECTIFIER)**

**D13**



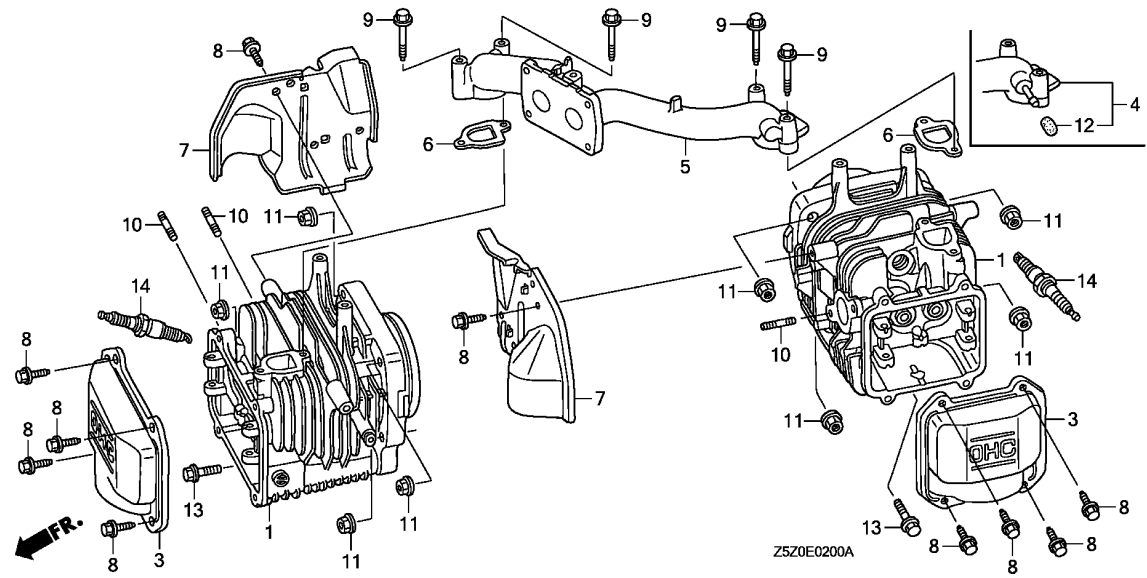
ZS20E400A

**2**



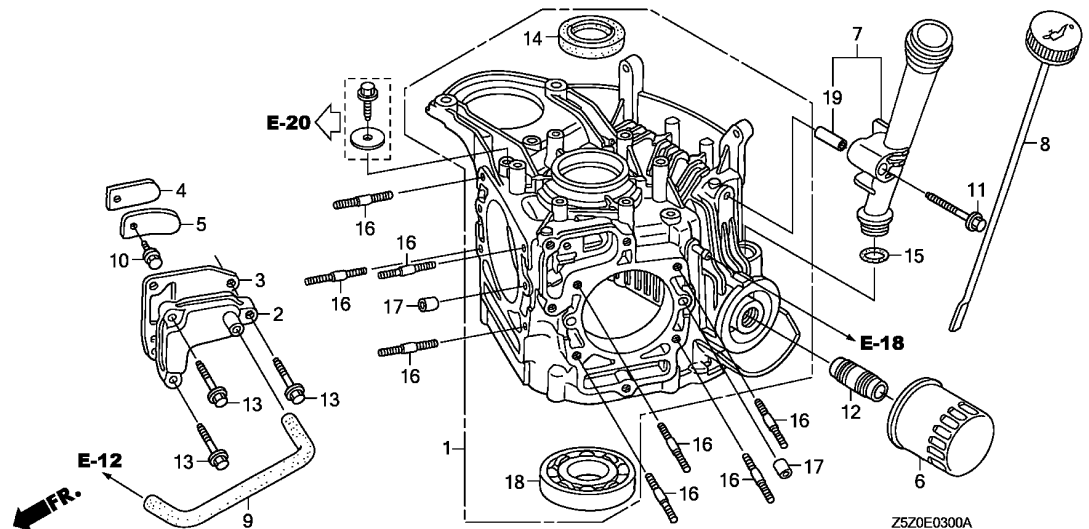
Ref. No.	L.O.N.	(Relative ref. Number) Description	F.R.T.
1	1111F2	HEAD, CYLINDER :LEFT BANK ..... .INCLUDES: Valve clearance adjustment and reface	1.5
	1111F3	HEAD, CYLINDER :RIGHT BANK ... .INCLUDES: Valve clearance adjustment and reface	1.5
	1111L4	HEAD, CYLINDER :BOTH BANKS ... .INCLUDES: Valve clearance adjustment and reface	2.0
3	1111D3	COVER, CYLINDER HEAD AND/OR PACKING, HEAD COVER :LEFT ...	0.1
	1111D4	COVER, CYLINDER HEAD AND/OR PACKING, HEAD COVER :RIGHT ..	0.1
	1111L5	COVER, CYLINDER HEAD AND/OR PACKING, HEAD COVER :BOTH ... (4)	0.2
5	3111C4	MANIFOLD, INTAKE .....	0.6
6	3111M6	PACKING, INTAKE MANIFOLD :LEFT .NOTE: Same time for two units	0.6
	3111M7	PACKING, INTAKE MANIFOLD :RIGHT .NOTE: Same time for two units	0.6
7	4141D9	SHROUD, ENGINE :LEFT .....	0.1
	4141E1	SHROUD, ENGINE :RIGHT .....	0.1
+14	6141E6	PLUG, SPARK :LEFT BANK .....	0.1

Ref. No.	Part No.	Description	Reqd. QTY				Serial No.	Parts catalogue code
			GCV 520 U	GCV 520 R	GCV 530 U	GCV 530 R		
1	12100-Z0A-405	CYLINDER COMP. ....	2	2	2	2		
3	12311-Z0A-000	COVER, HEAD .....	2	2	2	2		
4	17100-Z0A-000	MANIFOLD ASSY., INTAKE .....	-	-	1	1	-----	PEE9
5	17101-Z0A-000	MANIFOLD, INTAKE .....	1	1	-	-		
			-	-	1	1	-----	AEE1,CEE9,QA1,SEE2
6	17151-Z0A-000	PACKING, INTAKE MANIFOLD ....	2	2	2	2		
7	19631-Z0A-000	SHROUD .....	2	2	2	2		
8	90013-883-000	BOLT, FLANGE, 6X12(CT200) ...	10	10	10	10		
9	90016-ZE8-000	BOLT, FLANGE, 6X45(CT200) ...	4	4	4	4		
10	90045-892-000	BOLT, STUD, 6X28(CT200) .....	4	4	4	4		
11	90201-Z0A-000	NUT, FLANGE, 8MM .....	8	8	8	8		
12	90634-ZL8-H00	CAP, SEALING .....	-	-	1	1	-----	PEE9
13	95701-06030-00	BOLT, FLANGE, 6X30 .....	2	2	2	2		
14	98079-54846	PLUG, SPARK (BPR4ES)(NGK) ...	(2)	(2)	(2)	(2)		
	98079-54855	PLUG, SPARK (W14EPR-U)(DENSO)	(2)	(2)	(2)	(2)		
	98079-55846	PLUG, SPARK (BPR5ES)(NGK) ...	2	2	2	2		
	98079-55855	PLUG, SPARK (W16EPR-U)(DENSO)	2	2	2	2		



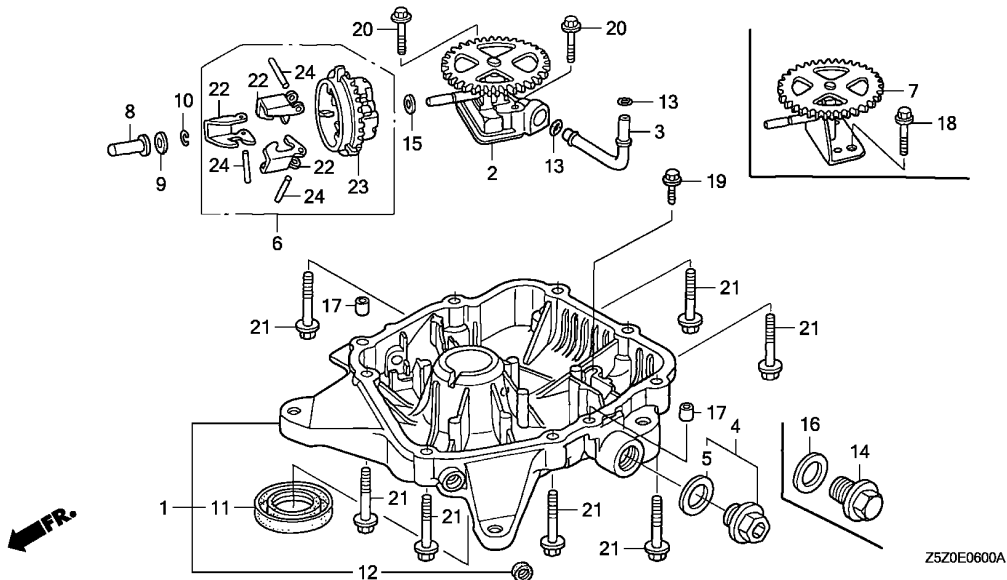
Ref. No.	L.O.N.	(Relative ref. Number) Description	F.R.T.
+14		.INCLUDES: Spark plug check	
6141E7		PLUG, SPARK :RIGHT BANK .....	0.1
6141E8		.INCLUDES: Spark plug check	
		PLUG, SPARK :BOTH BANKS .....	0.2
		.INCLUDES: All spark plug check	





Ref. No.	L.O.N.	(Relative ref. Number) Description	F.R.T.
1	1101B7	CRANKCASE	3.2
2		(3,4,5)	
	1111D1	COVER, BREATHER AND/OR PACKING, BREATHER COVER	0.7
6	110175	CARTRIDGE, OIL FILTER	0.1
		.EXCLUDES: Engine oil-change (15)	
7	1101B9	EXTENSION, OIL FILLER AND/OR PACKING, OIL FILLER EXTENSION	0.2
9	1111K5	TUBE, BREATHER	0.3
14	1101E6	OIL SEAL, CRANKSHAFT :UPPER	2.0
18	1101J6	BEARING, CRANKSHAFT :UPPER	2.1

Ref. No.	Part No.	Description	Reqd. QTY				Serial No.	Parts catalogue code
			GCV 520 U	GCV 520 R	GCV 530 U	GCV 530 R		
1	11100-Z0A-405	CRANKCASE ASSY.	1	-	1	1	----- QEA1, QEA9	
	11100-Z0A-408	.....	1	1	1	1	----- AEE1, SEE2, SEE4, WEE1	
	11100-Z0A-417	.....	1	1	1	1	----- CEE9, PEE9	
2	12356-Z0A-000	COVER, BREATHER	1	1	1	1		
3	12358-Z0A-000	PACKING, BREATHER COVER	1	1	1	1		
4	12372-ZA0-701	PLATE, VALVE	1	1	1	1		
5	12374-Z0A-000	STOPPER, VALVE	1	1	1	1		
6	15400-PFB-004	CARTRIDGE, OIL FILTER (TOYO ROKI)	1	-	-	-	----- 1000955 CEE9	
			-	-	1	-	----- 1000393 CEE9, PEE9	
	15400-PFB-014	.....	1	-	-	-	----- 1000956 CEE9	
			-	1	-	1	----- CEE9, PEE9	
			-	-	1	-	----- 1000394 CEE9, PEE9	
7	15631-Z0A-000	EXTENSION, OIL FILLER	1	1	1	1		
8	15655-Z0A-000	GAUGE COMP., OIL LEVEL	1	1	1	1		
9	15721-Z0A-000	TUBE, BREATHER	1	1	1	1		
10	90002-892-000	BOLT, FLANGE, 5X10	1	1	1	1		
11	90016-ZE8-000	BOLT, FLANGE, 6X45(CT200)	1	1	1	1		
12	90018-PN3-000	HOLDER, OIL FILTER	1	1	1	1	----- CEE9, PEE9	
13	90121-952-000	BOLT, FLANGE, 6X25(CT200)	3	3	3	3		
14	91201-ZE3-004	OIL SEAL, 35X52X8	1	1	1	1		
15	91301-ZE9-003	O-RING, 22.1X2.2	1	1	1	1		
16	92900-08028-0E	BOLT, STUD, 8X28	8	8	8	8		
17	94301-08140	DOWEL PIN, 8X14	4	4	4	4		
18	96100-62070-00	BEARING, RADIAL BALL, 6207	1	1	1	1		
19	15633-Z0A-300	COLLAR, EXTENSION	1	1	1	1		



Ref. No.	L.O.N.	(Relative ref. Number) Description	F.R.T.
1	1131C1	PAN, OIL .....	0.7
2	1131D0	PUMP, OIL AND/OR SHAFT, GOVERNOR .....	0.7
3		(13)	
3	1131C7	PIPE, OIL PUMP .....	0.6
5		(16)	
	1101D5	WASHER, DRAIN PLUG .....	0.1
6	1161C4	GOVERNOR ASSEMBLY .....	0.7
7	1161E0	SHAFT, GOVERNOR .....	0.7
11	1101E7	OIL SEAL, CRANKSHAFT :LOWER ..	0.4
12	1101C4	OIL SEAL, GOVERNOR ARM SHAFT ..	0.5
23		(22,24)	
	1161A7	HOLDER, GOVERNOR WEIGHT .....	0.8

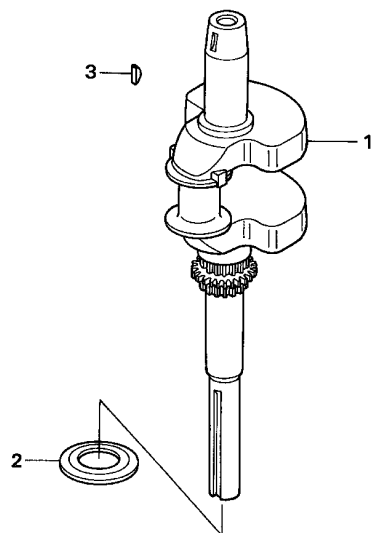
Ref. No.	Part No.	Description	Reqd. QTY				Serial No.	Parts catalogue code
			GCV 520 U	GCV 520 R	GCV 530 U	GCV 530 R		
1	11300-Z0A-010	PAN ASSY., OIL .....	1	1	1	1	-----	CEE9,PEE9,QEA1,QEA9
	11300-Z0A-811	.....	1	1	1	1	-----	AEE1,SEE2,SEE4,WEE1
2	15100-Z0A-801	PUMP ASSY., OIL .....	1	1	1	1	-----	CEE9,PEE9
3	15161-Z0A-000	PIPE, OIL PUMP .....	1	1	1	1	-----	CEE9,PEE9
4	15550-Z0A-810	CAP ASSY., DRAIN .....	1	1	1	1	-----	AEE1,SEE2,SEE4,WEE1
5	15625-ZE1-003	PACKING, OIL FILLER CAP .....	1	1	1	1	-----	AEE1,SEE2,SEE4,WEE1
6	16510-Z0A-000	GOVERNOR ASSY. ....	1	1	1	1	-----	
7	16520-Z0A-000	SHAFT COMP., GOVERNOR .....	1	1	1	1	-----	AEE1,QEA1,QEA9,SEE2,SEE4,WEE1
8	16531-Z0A-000	SLIDER, GOVERNOR .....	1	1	1	1	-----	
9	90473-147-000	WASHER, 6X16 .....	1	1	1	1	-----	
10	90602-ZE1-000	CLIP, GOVERNOR HOLDER .....	1	1	1	1	-----	
11	91202-Z0A-003	OIL SEAL, 31X50X8 .....	1	1	1	1	-----	
12	91206-333-003	OIL SEAL, 10X16X4.5 .....	1	1	1	1	-----	
13	91301-Z0A-003	O-RING, 7.5X2.3 .....	2	2	2	2	-----	CEE9,PEE9
14	92800-20000	BOLT, DRAIN PLUG, 20MM .....	1	1	1	1	-----	CEE9,PEE9,QEA1,QEA9
15	94101-06800	WASHER, PLAIN, 6MM .....	1	1	1	1	-----	
16	94109-20000	WASHER, DRAIN PLUG, 20MM .....	1	1	1	1	-----	CEE9,PEE9,QEA1,QEA9
17	94301-08140	DOWEL PIN, 8X14 .....	2	2	2	2	-----	
18	95701-06016-00	BOLT, FLANGE, 6X16 .....	2	2	2	2	-----	AEE1,QEA1,QEA9,SEE2,SEE4,WEE1
19	95701-06022-00	BOLT, FLANGE, 6X22 .....	1	1	1	1	-----	CEE9,PEE9
20	95701-06030-00	BOLT, FLANGE, 6X30 .....	2	2	2	2	-----	CEE9,PEE9
21	95701-08040-00	BOLT, FLANGE, 8X40 .....	7	7	7	7	-----	
22	16511-Z0A-000	WEIGHT, GOVERNOR .....	3	3	3	3	-----	
23	16512-Z0A-000	HOLDER, GOVERNOR WEIGHT .....	1	1	1	1	-----	
24	16513-ZE2-000	PIN, GOVERNOR WEIGHT .....	3	3	3	3	-----	



E-7

CRANKSHAFT

C 5



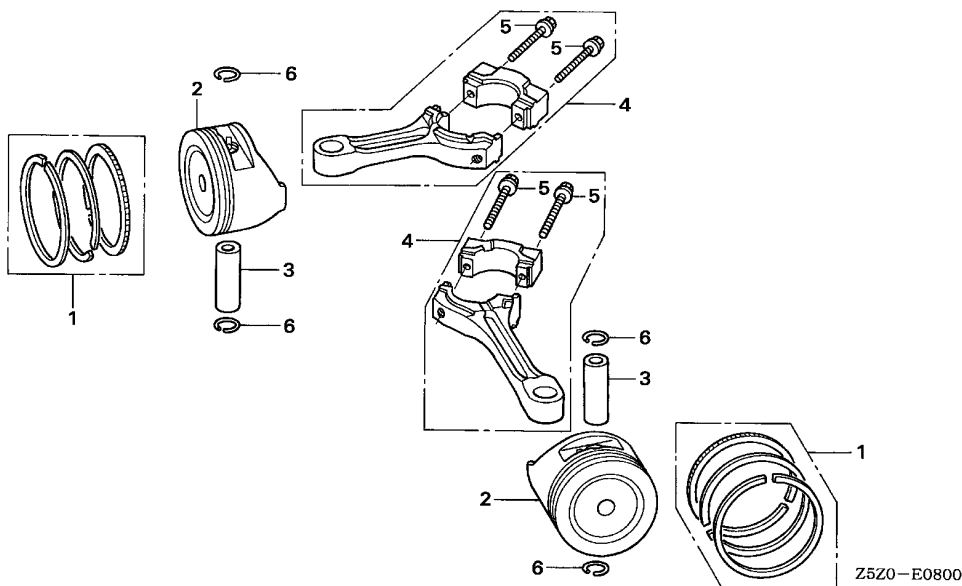
Z5Z0-E0700

Ref. No.	L.O.N.	(Relative ref. Number) Description	F.R.T.
1	1101F0	CRANKSHAFT .....	1.9

Ref. No.	Part No.	Description	Reqd. QTY				Serial No.	Parts catalogue code
			GCV 520	GCV 520	GCV 530	GCV 530		
			U	R	U	R		
1	13310-Z0A-000	CRANKSHAFT COMP. ....	1	1	1	1		
2	90401-Z0A-000	WASHER, THRUST .....	1	1	1	1		
3	90741-ZE2-000	KEY, SPECIAL WOODRUFF, 25X18	1	1	1	1		

2

FR.



Ref. No.	L.O.N.	(Relative ref. Number) Description	F.R.T.
2	(1,3,4)		
1111R2		PISTON AND/OR RING SET AND/OR BEARING AND/OR ROD (1 CYLINDER) :LEFT BANK ..... .INCLUDES: Inspection/Measurement/Cleaning	2.3
1111R3		PISTON AND/OR RING SET AND/OR BEARING AND/OR ROD (1 CYLINDER) :RIGHT BANK .... .INCLUDES: Inspection/Measurement/Cleaning	2.3
1111R4		PISTON AND/OR RING SET AND/OR BEARING AND/OR ROD (ALL CYLINDERS) :BOTH BANKS . .INCLUDES: Inspection/Measurement/Cleaning	2.8

Ref. No.	Part No.	Description	Reqd. QTY				Serial No.	Parts catalogue code
			GCV 520 U	GCV 520 R	GCV 530 U	GCV 530 R		
1	13010-Z0A-003	RING SET, PISTON (STD.) (NIPPON)	2	-	-	-	----- 1006688 ----- 1011693	
	13010-Z0A-014	RING SET, PISTON (STD.) (TEIKOKU)	2	-	-	-	----- 1006688 ----- 1011693	
	13010-Z5Z-004	.....	2	-	-	-	1006689	
			-	2	-	2	1011694	
2	13101-Z0A-000	PISTON (STD.)	2	-	-	-	----- 1006688 ----- 1011693	
	13101-Z0A-010	.....	2	-	-	-	1006689	
			-	2	-	2	1011694	
3	13111-ZJ1-840	PIN, PISTON	2	2	2	2		
4	13200-Z0A-003	ROD ASSY., CONNECTING	2	2	2	2		
5	90001-ZN1-000	BOLT, CONNECTING ROD, 6X37	4	4	4	4		
6	90551-ZE1-000	CLIP, PISTON PIN, 18MM	4	4	4	4		

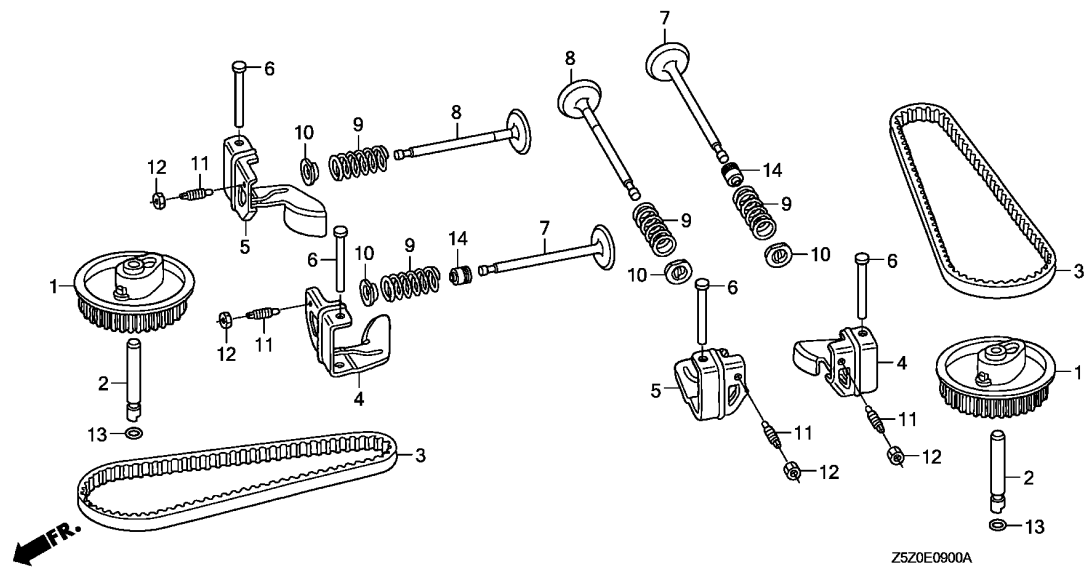




E-9

CAMSHAFT

C 7

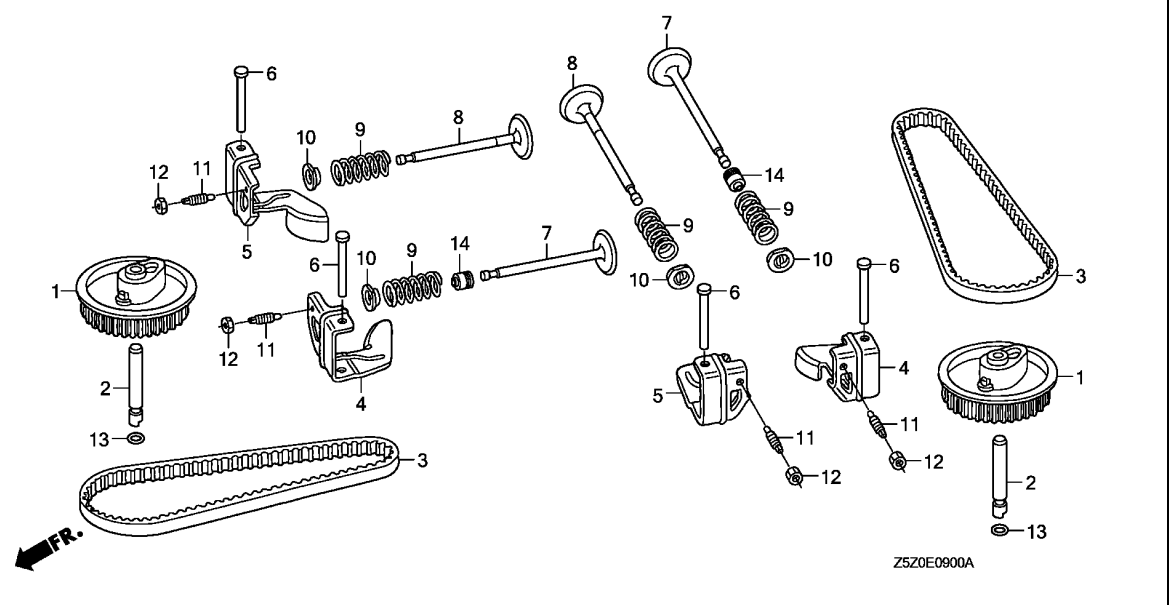


Z5Z0E0900A

Ref. No.	L.O.N.	(Relative ref. Number) Description	F.R.T.
1		(2,13)	
	1111S7	PULLEY, CAMSHAFT :LEFT BANK ..	0.4
		.Replace right bank side add ..	0.3
	1111S8	PULLEY, CAMSHAFT :RIGHT BANK ..	0.4
		.Replace left bank side add ..	0.3
3	1111S9	BELT, TIMING :LEFT BANK .....	0.6
		.Replace right bank side add ..	0.4
	1111T0	BELT, TIMING :RIGHT BANK .....	0.6
		.Replace left bank side add ..	0.4
4	1111T1	ARM, ROCKER :LEFT BANK INTAKE ..	0.4
		.INCLUDES: Valve clearance adjustment	
	1111T1A	.Replace left bank exhaust rocker arm add .....	0.1
	1111T1B	.Replace both heads (intake and exhaust all) add ..	0.3
	1111T2	ARM, ROCKER :RIGHT BANK INTAKE ..	0.4
		.INCLUDES: Valve clearance adjustment	
	1111T2A	.Replace right bank exhaust rocker arm add .....	0.1
	1111T2B	.Replace both heads (intake and exhaust all) add ..	0.3
+ 5	1111U3	ARM, ROCKER :LEFT BANK EXHAUST ..	0.4

Ref. No.	Part No.	Description	Reqd. QTY				Serial No.	Parts catalogue code
			GCV 520 U	GCV 520 R	GCV 530 U	GCV 530 R		
1	14320-Z0A-000	PULLEY COMP., CAMSHAFT .....	2	2	2	2		
2	14324-ZL8-000	SHAFT, CAM PULLEY .....	2	2	2	2		
3	14400-Z0A-003	BELT, TIMING (97HU8 G-200) ..	2	2	2	2		
4	14431-Z0A-000	ARM, IN. VALVE ROCKER .....	2	2	2	2		
5	14441-Z0A-000	ARM, EX. VALVE ROCKER .....	2	2	2	2		
6	14461-Z0A-000	SHAFT, ROCKER ARM .....	4	4	4	4		
7	14711-Z0A-000	VALVE, IN. .....	2	2	2	2		
8	14721-Z0A-000	VALVE, EX. .....	2	2	2	2		
9	14751-ZE1-000	SPRING, VALVE .....	4	4	4	4		
10	14771-ZE1-000	RETAINER, IN. VALVE SPRING ..	4	4	4	4		
11	90012-333-000	SCREW, TAPPET ADJUSTING .....	4	4	4	4		
12	90206-001-000	NUT, TAPPET ADJUSTING .....	4	4	4	4		
13	91301-ZM0-V31	O-RING, 6.8X1.9(ARAI) .....	2	2	2	2		
14	12209-422-005	SEAL, VALVE STEM .....	2	2	2	2		

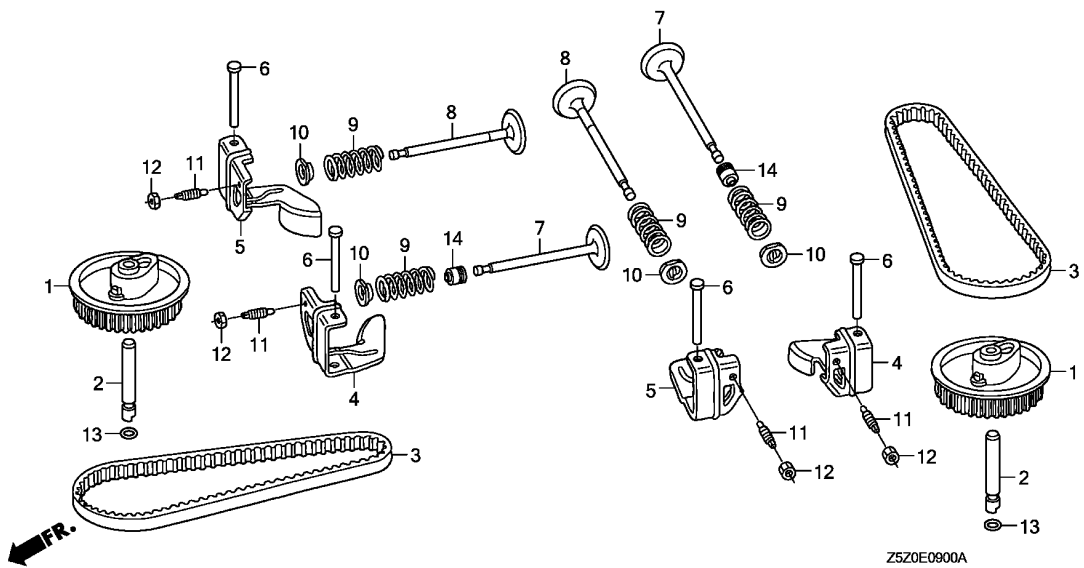
2



Z5Z0E0900A

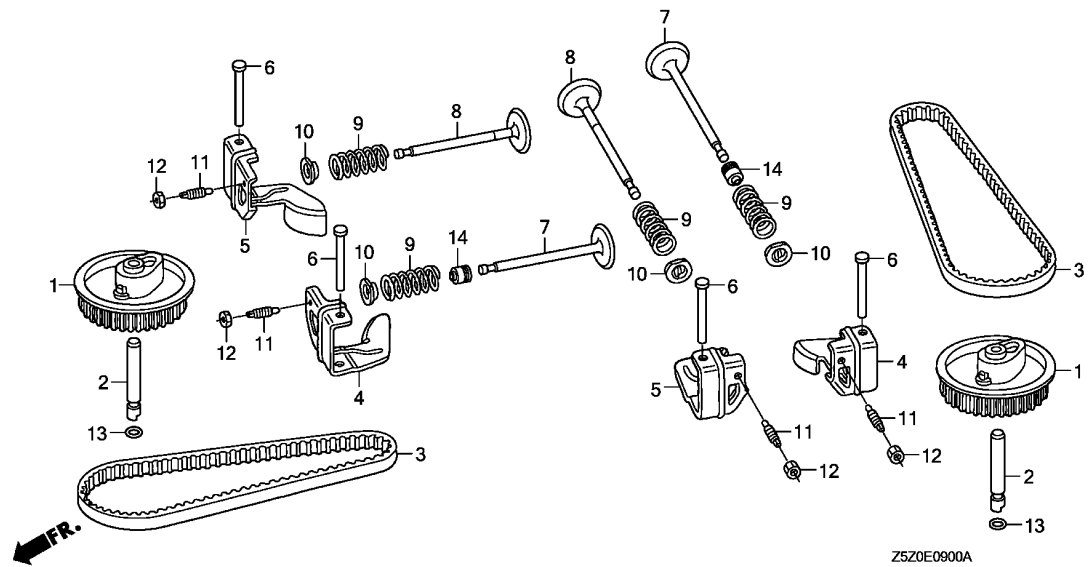
Ref. No.	L.O.N.	(Relative ref. Number) Description	F.R.T.
+ 5		.INCLUDES: Valve clearance adjustment	
1111U3A		.Replace left bank intake rocker arm add .....	0.1
1111U3B		.Replace both heads (intake and exhaust all) add .....	0.3
1111U4		ARM, ROCKER :RIGHT BANK EXHAUST .....	0.4
		.INCLUDES: Valve clearance adjustment	
1111U4A		.Replace right bank intake rocker arm add .....	0.1
1111U4B		.Replace both heads (intake and exhaust all) add .....	0.3
7 1111T9		VALVE, INTAKE(ONE) :LEFT BANK .INCLUDES: Valve clearance adjustment and reface	1.5
1111T9B		.Replace one head(intake and exhaust all) add .....	0.1
1111U1		VALVE, INTAKE(ONE) :RIGHT BANK .INCLUDES: Valve clearance adjustment and reface	1.5
1111U1B		.Replace one head(intake and exhaust all) add .....	0.1
+ 8 1111U0		VALVE, EXHAUST(ONE) :LEFT BANK	1.5





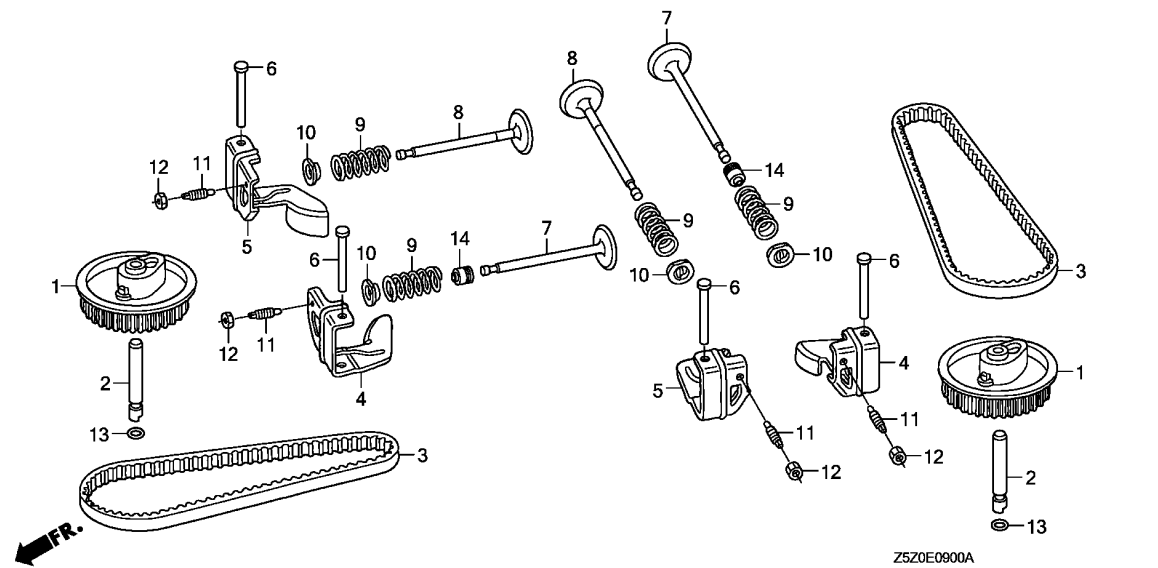
Ref. No.	L.O.N.	(Relative ref. Number) Description	F.R.T.
+ 8		.INCLUDES: Valve clearance adjustment and reface	
1111U0B		.Replace one head(intake and exhaust all) add .....	0.1
1111U2		VALVE, EXHAUST(ONE) :RIGHT BANK .....	1.5
		.INCLUDES: Valve clearance adjustment and reface	
1111U2B		.Replace one head(intake and exhaust all) add .....	0.1
9 1111V9		SPRING, VALVE(ONE) :INTAKE LEFT BANK .....	1.4
		.INCLUDES: Valve clearance adjustment	
1111V9A		.Replace one head(intake and exhaust all) add .....	0.1
1111V9B		.Replace both heads (intake and exhaust all) add .....	0.4
1111W0		SPRING, VALVE(ONE) :INTAKE RIGHT BANK .....	1.4
		.INCLUDES: Valve clearance adjustment	
1111W0A		.Replace one head(intake and exhaust all) add .....	0.1

Z5Z0E0900A



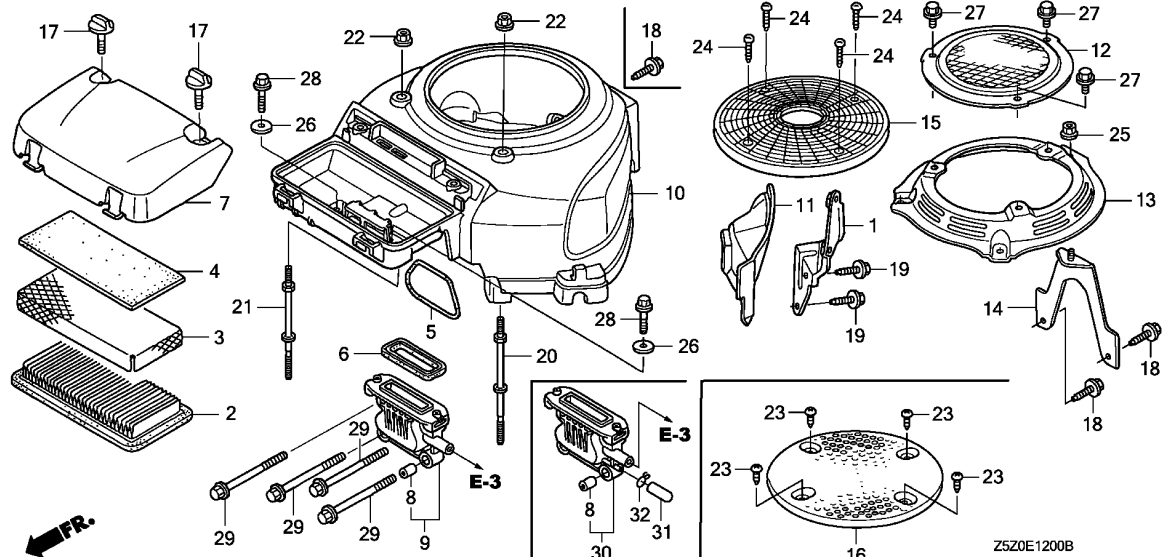
Ref. No.	L.O.N.	(Relative ref. Number) Description	F.R.T.
+ 9	1111W0B	.Replace both heads (intake and exhaust all) add	0.4
	1111W1	SPRING, VALVE(ONE) :EXHAUST LEFT BANK .....	1.4
		.INCLUDES: Valve clearance adjustment	
	1111W1A	.Replace one head(intake and exhaust all) add .....	0.1
	1111W1B	.Replace both heads (intake and exhaust all) add	0.4
	1111W2	SPRING, VALVE(ONE) :EXHAUST RIGHT BANK .....	1.4
		.INCLUDES: Valve clearance adjustment	
	1111W2A	.Replace one head(intake and exhaust all) add .....	0.1
	1111W2B	.Replace both heads (intake and exhaust all) add	0.4
14	1111U9	SEAL, INTAKE VALVE STEM(ONE) :LEFT BANK .....	1.4
		.INCLUDES: Valve clearance adjustment	
+ 1111V0		SEAL, INTAKE VALVE STEM(ONE) :RIGHT BANK .....	1.4





Ref. No.	L.O.N.	(Relative ref. Number) Description	F.R.T.
+14		.INCLUDES: Valve clearance adjustment	

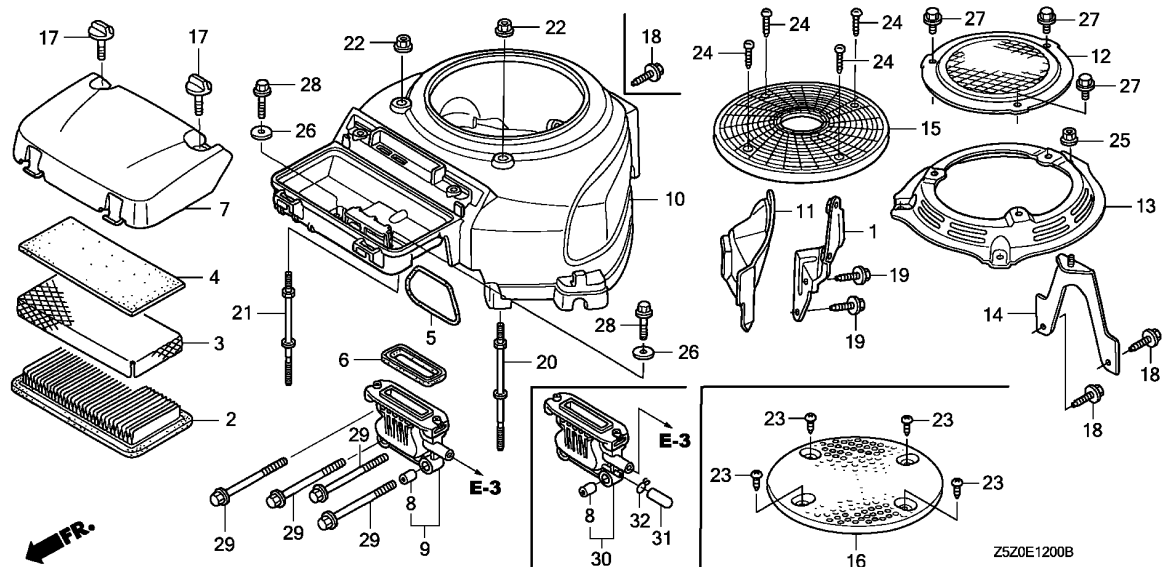




Ref. No.	L.O.N.	(Relative ref. Number) Description	F.R.T.
1	3101J7	STAY, FUEL PUMP	0.1
2	3121B8	ELEMENT, AIR CLEANER	0.1
4	3121C1	FILTER, OUTER	0.1
5	3121D9	PACKING, AIR CLEANER	0.2
6	3121E8	SEAL, AIR CLEANER CASE	0.2
7	3121B1	COVER, AIR CLEANER	0.1
9	3121B4	ELBOW, AIR CLEANER	0.2
10	1141G8	COVER, ENGINE COOLING FAN	0.3
11	1121A7	PLATE, SIDE	0.1
12	4141C9	PROTECTOR, FAN COVER	0.1
15	6201A5	GRID, SCREEN	0.1

Ref. No.	Part No.	Description	Reqd. QTY				Serial No.	Parts catalogue code
			GCV 520 U	GCV 520 R	GCV 530 U	GCV 530 R		
1	16711-Z0A-000	STAY, FUEL PUMP	1	-	1	1	----- AEE1,CEE9,PEE9,SEE2,SEE4,WEE1	
2	17211-Z0A-013	ELEMENT, AIR CLEANER	1	1	1	1		
3	17212-Z0A-000	GRID, AIR CLEANER	1	1	1	1		
4	17218-Z0A-810	FILTER, OUTER	1	1	1	1		
5	17228-Z0A-003	PACKING, AIR CLEANER	1	1	1	1		
6	17229-Z0A-000	SEAL, AIR CLEANER CASE	1	1	1	1		
7	17231-Z0A-000	COVER, AIR CLEANER	1	1	1	1		
8	17238-ZJ4-830	COLLAR A, AIR CLEANER	4	4	4	4		
9	17410-Z0A-010	ELBOW COMP., AIR CLEANER	1	-	-	-	----- QEA1,QEA9,SEE4 ----- 1007448 CEE9,WEE1 ----- 1012077	
10	19611-Z0A-010ZA	COVER, FAN	1	-	-	-	----- CEE9,QEA1,SEE4,WEE1	
	*NH1*	.....BLACK	-	1	1	1		
	19611-Z0A-010ZC	*R280*	1	1	1	1	----- AEE1,CEE9,QEA1	
	19611-Z0A-801ZA	*NH1*	1	-	-	-	----- QEA9	
	19611-Z0A-801ZC	*R280*	1	-	-	-	----- QEA9	
11	19612-Z0A-000	PLATE, SIDE	1	1	1	1		
12	19620-ZE3-L60ZC	PROTECTOR COMP., FAN COVER	1	1	1	1	----- CEE9,PEE9	
	*NH105*	...MAT BLACK (#15-#20)	1	1	1	1	----- CEE9	
	19620-ZE3-L60ZD	*R280*	1	1	1	1	----- CEE9	
13	28405-Z0A-000ZA	SPACER, RECOIL STARTER						
		MOUNTING						
	*NH105*	...MAT BLACK (#15-#20)	1	1	1	1	----- CEE9,PEE9	
	28405-Z0A-000ZC	*R280*	1	1	1	1	----- CEE9	
14	28406-Z0A-000	BRACKET, RECOIL MOUNT	1	1	1	1	----- CEE9,PEE9	

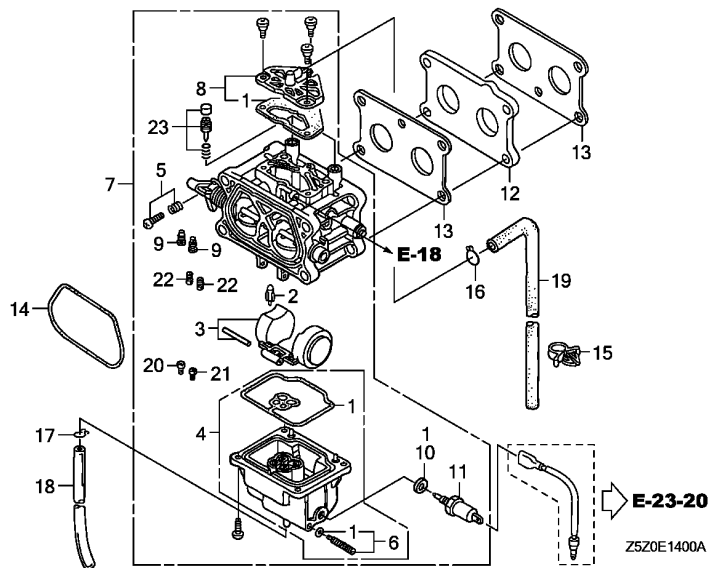




Ref. No.	Part No.	Description	Reqd. QTY				Serial No.	Parts catalogue code	
			GCV 520 U	GCV 520 R	GCV 530 U	GCV 530 R			
15	28452-Z0A-000ZA	GRID, SCREEN (D50)							
		*NH1*.....BLACK	1	1	1	1	-----	AEE1,CEE9,PEE9,QEA1,QEA9,SEE4	
	28452-Z0A-000ZC	*R280*.....POWER RED	1	1	1	1	-----	AEE1,CEE9,QEA1,QEA9	
16	28452-Z0A-810	GRID, SCREEN (STIGA) .....	1	1	1	1	-----	SEE2,WEE1	
17	90004-Z0A-000	BOLT, AIR CLEANER, 6MM .....	2	2	2	2			
18	90013-ZL8-000	BOLT, FLANGE, 6X14(CT200) ...	2	2	2	2			
19	90014-952-000	BOLT, FLANGE, 6X14(CT200) ...	1	-	1	1	-----	QEA1,QEA9	
			2	-	2	2	-----	AEE1,CEE9,PEE9,SEE2,SEE4,WEE1	
			-	2	-	-			
20	90044-Z0A-000	BOLT, L. STUD (IGNITION COIL)	1	1	1	1			
21	90045-Z0A-000	BOLT, R. STUD (IGNITION COIL)	1	1	1	1			
22	90201-ZM0-000	NUT, FLANGE, 6MM .....	2	2	2	2	-----	AEE1,QEA1,QEA9,SEE2,SEE4,WEE1	
23	93913-24410	SCREW, TAPPING, 4X16(PO) ....	4	4	4	4	-----	SEE2,WEE1	
24	93913-24780	SCREW, TAPPING, 4X30(PO) ....	4	4	4	4	-----	AEE1,CEE9,PEE9,QEA1,QEA9,SEE4	
25	94050-06070	NUT, FLANGE, 6MM .....	3	3	3	3	-----	CEE9,PEE9	
26	94103-06800	WASHER, PLAIN, 6MM .....	2	2	2	2			
27	95701-06008-07	BOLT, FLANGE, 6X8 .....	3	3	3	3	-----	CEE9,PEE9	
28	95701-06012-00	BOLT, FLANGE, 6X12 .....	2	2	2	2			
29	95801-06100-00	BOLT, FLANGE, 6X100 .....	4	4	4	4			
30	17410-Z6A-000	ELBOW COMP., AIR CLEANER ....	1	-	-	-	1007449	-----	CEE9,WEE1
			-	1	-	1			
			-	-	1	-	1012078		
31	90634-ZL8-H00	CAP, SEALING .....	1	-	-	-	1007449	-----	CEE9,WEE1
			-	1	-	1			
			-	-	1	-	1012078		

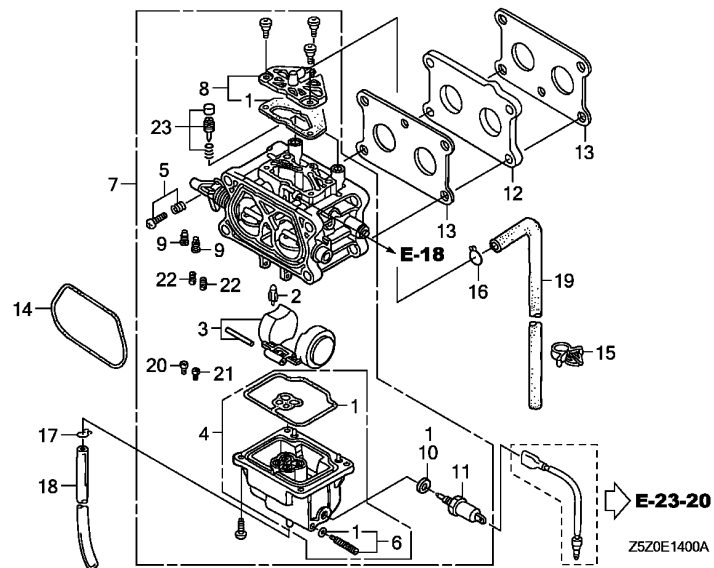




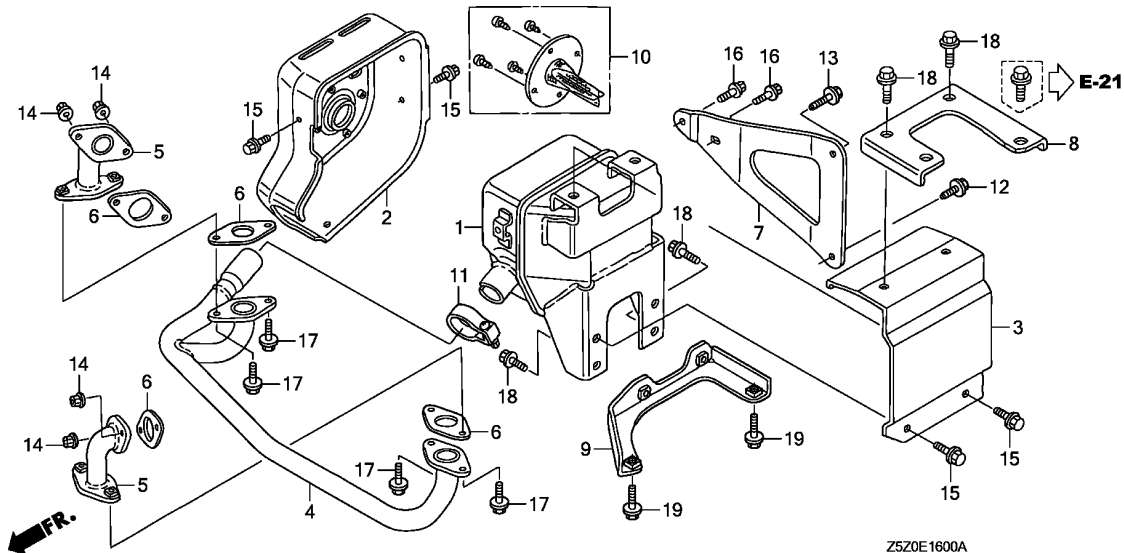


Ref. No.	L.O.N.	(Relative ref. Number) Description	F.R.T.
1	3111B1	GASKET SET, CARBURETOR .....	0.6
2	3111E1	VALVE SET, FLOAT AND/OR FLOAT SET .....	0.6
4	3111A3	CHAMBER SET, FLOAT AND/OR GASKET, FLOAT CHAMBER .....	0.6
7	3111F3	CARBURETOR .....	0.5
8	3111J9	COVER SET, AIR VENT .....	0.3
11	6211C0	VALVE, CARBURETOR SOLENOID ... (13)	0.1
12	3111C0	INSULATOR, CARBURETOR AND/OR PACKING, INSULATOR .....	0.4
14	3121H2	PACKING, AIR CLEANER(A) .....	0.4
18	3111H8	TUBE, FLOAT CHAMBER .....	0.1
19	3101F6	TUBE, FUEL .....	0.3
20	3111C3	JET, MAIN .....	0.6
23	3111D7	SCREW SET, PILOT .....	0.3

Ref. No.	Part No.	Description	Reqd. QTY				Serial No.	Parts catalogue code
			GCV 520 U	GCV 520 R	GCV 530 U	GCV 530 R		
1	16010-ZOA-802	GASKET SET .....	1	1	1	1		
2	16011-ZOA-004	VALVE, FLOAT .....	1	1	1	1		
3	16013-ZOA-004	FLOAT SET .....	1	1	1	1		
4	16015-ZOA-802	CHAMBER SET, FLOAT .....	1	1	1	1		
5	16016-ZOA-004	SCREW SET .....	1	1	1	1		
6	16024-ZOA-004	SCREW SET, DRAIN .....	1	1	1	1		
7	16100-ZON-805	CARBURETOR ASSY. (BW04A C) ..	1	-	-	-	-----	QEA1,QEA9
	16100-ZON-815	CARBURETOR ASSY. (BW04B C) ..	1	-	-	-	-----	CEE9,SEE4,WEE1
				1	-	-		
	16100-ZOA-805	CARBURETOR ASSY. (BW02A C) ..	-	-	1	1	-----	QEA1
	16100-ZOA-815	CARBURETOR ASSY. (BW02B C) ..	-	-	1	1	-----	AEE1,CEE9,PEE9,SEE2
8	16139-ZOA-004	COVER SET, AIR VENT .....	1	1	1	1		
9	16168-ZOA-004	CAP .....	2	2	2	2		
10	16178-ZOA-802	GASKET .....	1	1	1	1		
11	16200-ZOA-802	VALVE ASSY., SOLENOID .....	1	1	1	1		
12	16211-ZOA-000	INSULATOR, CARBURETOR .....	1	1	1	1		
13	16212-ZOA-000	PACKING, INSULATOR .....	2	2	2	2		
14	17228-ZOA-003	PACKING, AIR CLEANER .....	1	1	1	1		
15	90659-680-013	CLIP, WIRE HARNESS .....	1	1	1	1		
16	95002-02080	CLIP, TUBE (B8) .....	1	1	1	1		
17	95002-02650	CLIP, TUBE (B6.5) .....	1	1	1	1		
18	95003-07030-31	TUBE, VINYL, 4X7X300 .....						
		(95003-07001-60M)	1	1	1	1		
19	95005-45400-20	TUBE, 4.5X400 (95005-45001-20M)	1	1	1	1		
20	99131-ZOA-0710	JET, MAIN, #71.3 .....	(1)	(1)	-	-		
	99131-ZOA-0730	JET, MAIN, #73.8 .....	(1)	(1)	-	-		



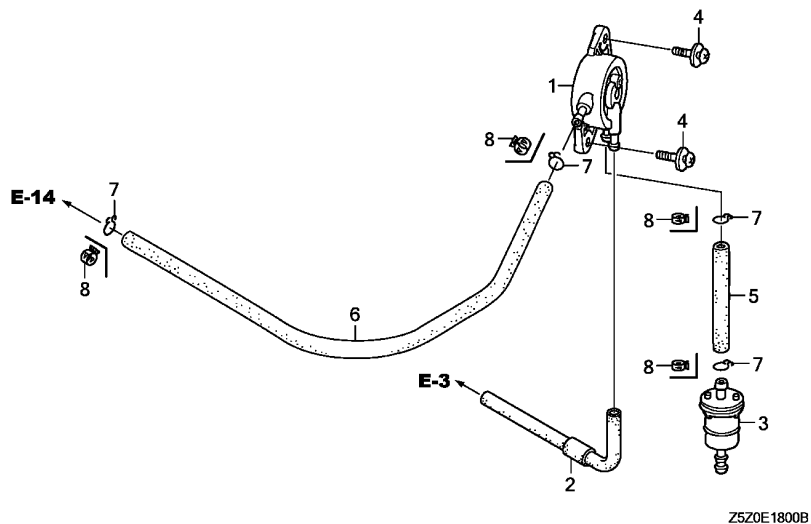
Ref. No.	Part No.	Description	Reqd. QTY				Serial No.	Parts catalogue code
			GCV 520 U	GCV 520 R	GCV 530 U	GCV 530 R		
20)	99131-Z0A-0760	JET, MAIN, #76.3 .....	1	1	-	-		
	99131-Z0A-0820	JET, MAIN, #82.5 .....	-	-	(1)	(1)		
	99131-Z0A-0850	JET, MAIN, #85 .....	-	-	(1)	(1)		
	99131-Z0A-0870	JET, MAIN, #87.5 .....	-	-	1	1		
21	99131-Z0A-0730	JET, MAIN, #73.8 .....	(1)	(1)	-	-		
	99131-Z0A-0760	JET, MAIN, #76.3 .....	(1)	(1)	-	-		
	99131-Z0A-0780	JET, MAIN, #78.8 .....	1	1	-	-		
	99131-Z0A-0850	JET, MAIN, #85 .....	-	-	(1)	(1)		
	99131-Z0A-0870	JET, MAIN, #87.5 .....	-	-	(1)	(1)		
	99131-Z0A-0900	JET, MAIN, #90 .....	-	-	1	1		
22	99134-Z0A-0350	JET, PILOT, #35 .....	2	2	-	-		
	99134-Z0A-0370	JET, PILOT, #37.5 .....	-	-	2	2		
23	16028-Z0N-004	SCREW SET, PILOT .....	2	2	-	-		
	16028-Z0A-004	.....	-	-	2	2		



Ref. No.	L.O.N.	(Relative ref. Number) Description	F.R.T.
1	3131C5	MUFFLER, EXHAUST .....	0.3
4	3131C9	PIPE, EXHAUST .....	0.3
5	3131C7	PIPE, EXHAUST :LEFT .....	0.2
	3131C8	PIPE, EXHAUST :RIGHT .....	0.2
6	3131J1	GASKET, EXHAUST PIPE :LEFT ...	0.2
	3131J2	GASKET, EXHAUST PIPE :RIGHT ..	0.2
	3131J9	GASKET, EXHAUST PIPE(A) :LEFT	0.2
	3131K0	GASKET, EXHAUST PIPE(A) :RIGHT	0.2
10	3131A1	ARRESTER, SPARK .....	0.2

Ref. No.	Part No.	Description	Reqd. QTY				Serial No.	Parts catalogue code
			GCV 520 U	GCV 520 R	GCV 530 U	GCV 530 R		
1	18310-Z0A-801	MUFFLER COMP. ....	1	-	-	-	-----	QEA9
2	18321-ZJ1-841	PROTECTOR, MUFFLER (SIDE-L) .	1	-	-	-	-----	QEA9
3	18325-Z0A-800	PROTECTOR, RR. MUFFLER .....	1	-	-	-	-----	QEA9
4	18330-Z0A-801	PIPE COMP., EX. ....	1	-	-	-	-----	QEA9
5	18331-Z0A-800	PIPE, EX. (FLANGE) .....	2	-	-	-	-----	QEA9
6	18333-Z0A-000	GASKET, EX. PIPE .....	2	-	-	-	-----	CEE9, QEA1, SEE4, WEE1
			4	-	-	-	-----	QEA9
			-	2	2	2	-----	
7	18337-Z0A-800	BRACKET, MUFFLER .....	1	-	-	-	-----	QEA9
8	18338-Z0A-800	BRACKET, UPPER MUFFLER .....	1	-	-	-	-----	QEA9
9	18339-Z0A-800	BRACKET, LOWER MUFFLER .....	1	-	-	-	-----	QEA9
10	18355-ZJ1-801	ARRESTER, SPARK .....	1	-	-	-	-----	QEA9
11	18396-ZJ1-003	BAND ASSY. ....	1	-	-	-	-----	QEA9
12	90014-952-000	BOLT, FLANGE, 6X14(CT200) ...	1	-	-	-	-----	QEA9
13	90022-888-010	BOLT, FLANGE, 6X20(CT200) ...	1	-	-	-	-----	QEA9
14	94050-06000	NUT, FLANGE, 6MM .....	4	4	4	4	-----	
15	95701-06008-00	BOLT, FLANGE, 6X8 .....	4	-	-	-	-----	QEA9
16	95701-06010-00	BOLT, FLANGE, 6X10 .....	2	-	-	-	-----	QEA9
17	95701-06016-00	BOLT, FLANGE, 6X16 .....	4	-	-	-	-----	QEA9
18	95701-08014-00	BOLT, FLANGE, 8X14 .....	4	-	-	-	-----	QEA9
19	95701-08035-00	BOLT, FLANGE, 8X35 .....	2	-	-	-	-----	QEA9

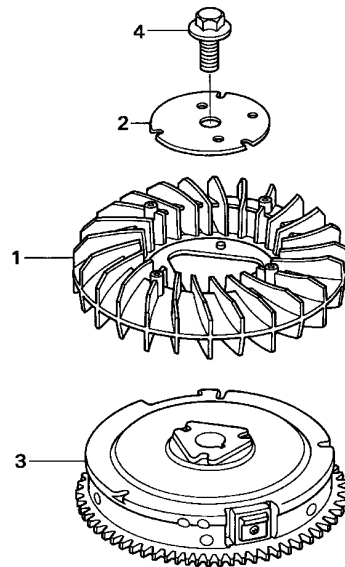




FR.

2

Ref. No.	Part No.	Description	Reqd. QTY				Serial No.	Parts catalogue code
			GCV 520 U	GCV 520 R	GCV 530 U	GCV 530 R		
8	95002-41000-08	CLAMP, TUBE (D10) .....	2	-	-	-	1000956 ----- QEA1,QEA9	
			4	-	-	-	1000956 ----- CEE9,SEE4,WEE1	
			-	4	-	-		
			-	-	2	-	1001546 ----- QEA1	
			-	-	4	-	1001546 ----- AEE1,CEE9,PEE9,SEE2	
			-	-	-	2	----- QEA1	
			-	-	-	4	----- AEE1,CEE9,PEE9,SEE2	

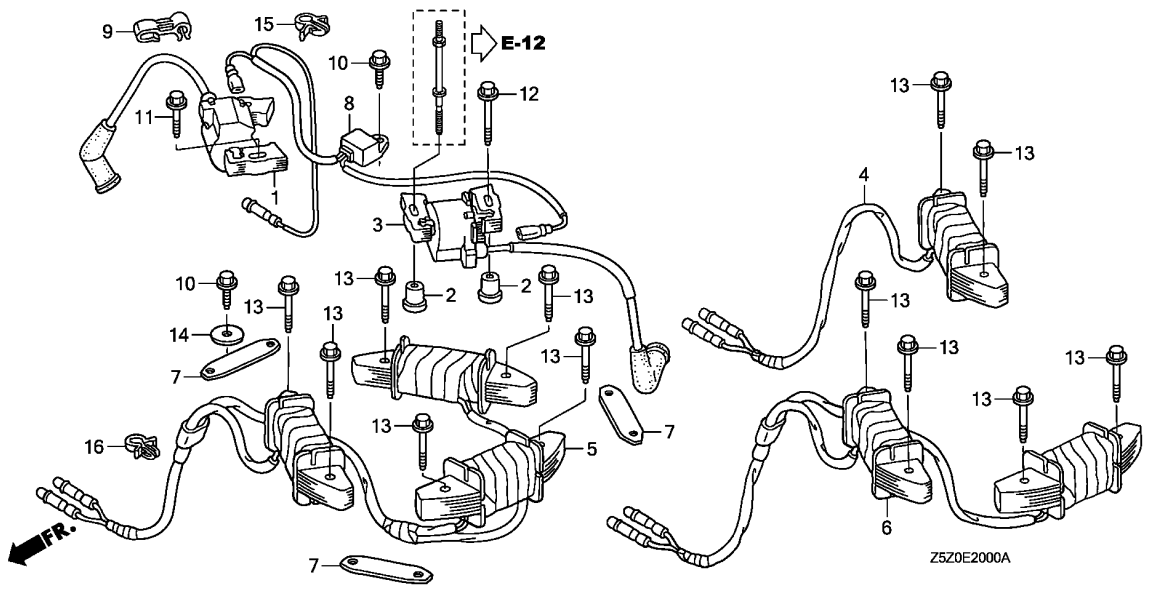


Z5Z0-E1900

Ref. No.	L.O.N.	(Relative ref. Number) Description	F.R.T.
1	1141G7	FAN, ENGINE COOLING .....	0.3
2	1141H0	PLATE, COOLING FAN SETTING ...	0.3
3	2161B5	FLYWHEEL .....	0.4

Ref. No.	Part No.	Description	Reqd. QTY				Serial No.	Parts catalogue code
			GCV 520 U	GCV 520 R	GCV 530 U	GCV 530 R		
1	19511-Z0A-000	FAN, COOLING .....	1	1	1	1		
2	19513-Z0A-000	PLATE, COOLING FAN SETTING ..	1	1	1	1		
3	31110-Z0A-000	FLYWHEEL COMP. ....	1	-	1	1	-----	QEA1,QEA9
	31110-Z0A-800	FLYWHEEL COMP. (6P) .....	1	-	1	1	-----	AEE1,CEE9,PEE9,SEE2,SEE4,WEE1
			-	1	-	-		
4	90011-Z0A-000	BOLT, FLANGE, 16X35 .....	1	1	1	1		

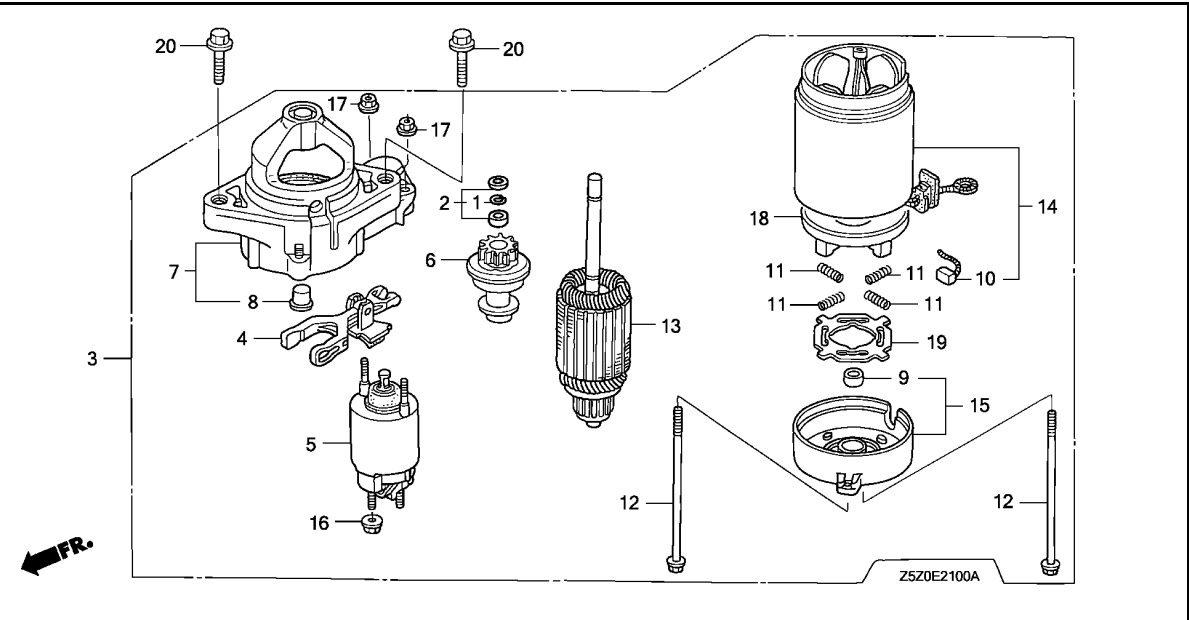




Ref. No.	L.O.N.	(Relative ref. Number) Description	F.R.T.
1	6141A4	COIL, IGNITION :RIGHT	0.4
3	6141A3	COIL, IGNITION :LEFT	0.4
4		(5,6)	
	6131C3	COIL, CHARGE	0.5
8	614106	DIODE, ENGINE STOP	0.4



Ref. No.	Part No.	Description	Reqd. QTY				Serial No.	Parts catalogue code
			GCV 520 U	GCV 520 R	GCV 530 U	GCV 530 R		
1	30500-Z0A-033	COIL ASSY., IGNITION (#1) ...	1	1	1	1		
2	30509-Z0A-000	COLLAR, IGNITION COIL	2	2	2	2		
3	30550-Z0A-033	COIL ASSY., IGNITION (#2) ...	1	1	1	1		
4	31630-Z0A-003	COIL ASSY., CHARGE (12V/3A)	1	-	1	1	----- QEA1, QEA9	
5	31630-Z0A-801	COIL ASSY., CHARGE (12V/18A)	1	1	-	-	----- WEE1	
			-	-	1	1	----- CEE9	
6	31630-Z0A-811	COIL ASSY., CHARGE (12V/12A)	1	1	-	-	----- CEE9	
			1	-	1	1	----- AEE1, PEE9, SEE2, SEE4	
7	31635-Z0A-000	PLATE, COIL SETTING	-	-	3	3	----- CEE9	
8	31740-Z0A-003	DIODE ASSY., ENGINE STOP	1	1	1	1		
9	32768-PJ7-000	CLAMP, CENTER CORD	1	1	1	1		
10	90013-883-000	BOLT, FLANGE, 6X12(CT200)	2	2	2	2		
11	90015-883-000	BOLT, FLANGE, 6X28(CT200)	1	1	1	1		
12	90016-ZE8-000	BOLT, FLANGE, 6X45(CT200)	1	1	1	1		
13	90031-ZE1-000	BOLT, FLANGE, 6X32(CT200)	2	-	2	2	----- QEA1	
			2	-	4	4	----- AEE1, PEE9, QEA9, SEE2	
			4	4	6	6	----- CEE9, SEE4	
			6	6	-	-	----- WEE1	
14	90136-428-870	WASHER, TANK SETTING	1	1	1	1		
15	90654-SA4-003	CLIP, WIRE HARNESS, 6MM(WHITE)	1	1	1	1		
16	90659-PG6-000	CLIP, WIRE HARNESS	1	1	1	1		

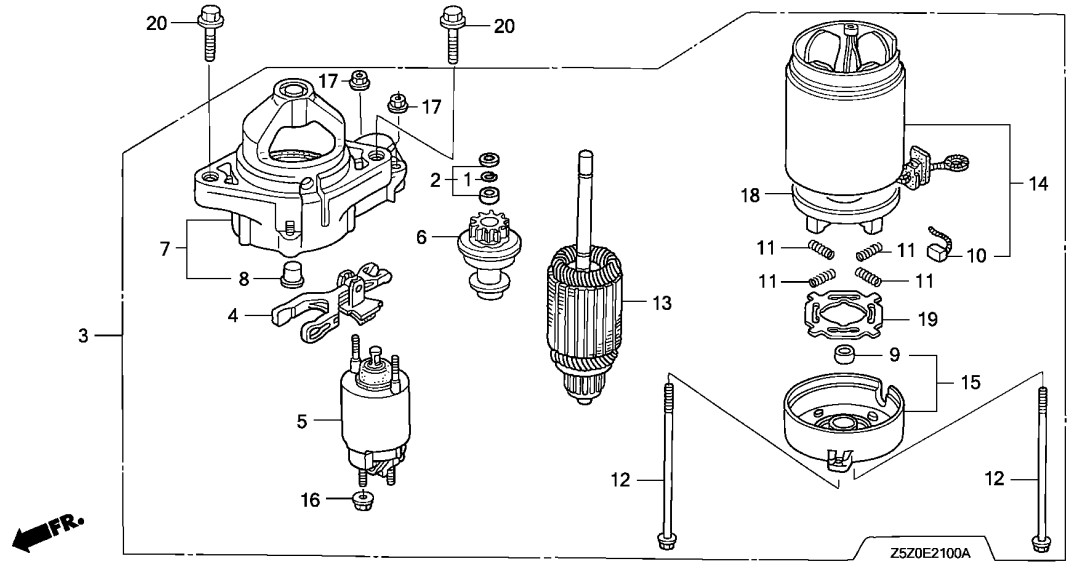


Ref. No.	L.O.N.	(Relative ref. Number) Description	F.R.T.
3	6121D5	MOTOR, STARTER .....	0.3
4	6121B7	LEVER, PINION DRIVE .....	0.4
5	6121C9	SWITCH, STARTER MAGNETIC .....	0.2
6	6121B0	CLUTCH, OVERRUNNING .....	0.5
7	6121C2	HOUSING, DRIVE SIDE .....	0.4
10	6121A9	BRUSH, STARTER .....	0.4
13	6121A0	ARMATURE, STARTER .....	0.5
14	6121D1	YOKE, STARTER .....	0.5

Ref. No.	Part No.	Description	Reqd. QTY				Serial No.	Parts catalogue code
			GCV 520 U	GCV 520 R	GCV 530 U	GCV 530 R		
1	30201-PH9-004	RING, SNAP (DENSO) .....	1	1	1	1		
2	30202-PZ1-003	COLLAR SET, CLUTCH STOP .....	1	1	1	1		
3	31200-Z0A-003	MOTOR ASSY., STARTER .....	1	-	-	-		
	31200-Z0A-013	.....	-	1	-	1	1010779	
4	31203-PH9-004	LEVER, PINION DRIVE .....	1	-	-	-	1010780	
5	31204-ZG4-801	SWITCH ASSY., MAGNETIC .....	1	-	-	-		1010779
	31204-Z0A-013	SWITCH ASSY., MAGNET .....	-	1	-	1	1010780	
6	31207-Z0A-003	CLUTCH COMP., OVERRUNNING ...	1	1	1	1		
7	31208-Z0A-003	HOUSING COMP., DRIVE SIDE ...	1	1	1	1		
8	31209-PH9-004	BEARING A .....	1	1	1	1		
9	31210-PH9-004	BEARING B .....	1	-	-	-		
10	31211-PH9-004	BRUSH .....	4	4	4	4	1010779	
11	31212-PH9-004	SPRING, BRUSH .....	4	4	4	4		
12	31214-PH9-004	BOLT, THROUGH .....	2	2	2	2		
13	31217-Z0A-003	ARMATURE COMP. ....	1	1	1	1		
14	31218-P64-N01	YOKE COMP. ....	1	-	-	-		
	31218-PH9-004	.....	-	1	-	1	1010779	
			-	-	1	-	1010780	
15	31219-Z0A-003	FRAME COMP., COMMUTATOR END ..	1	1	1	1		

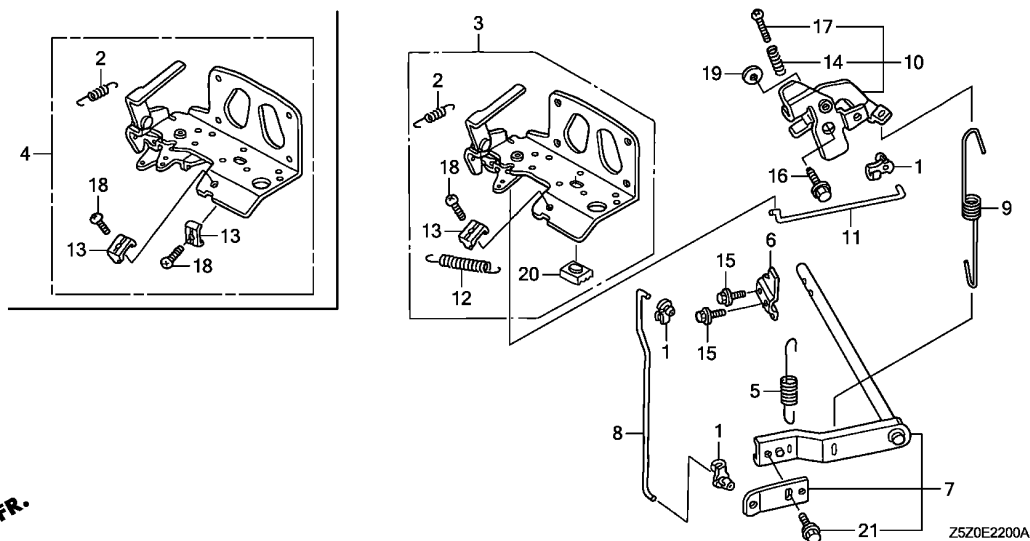






2

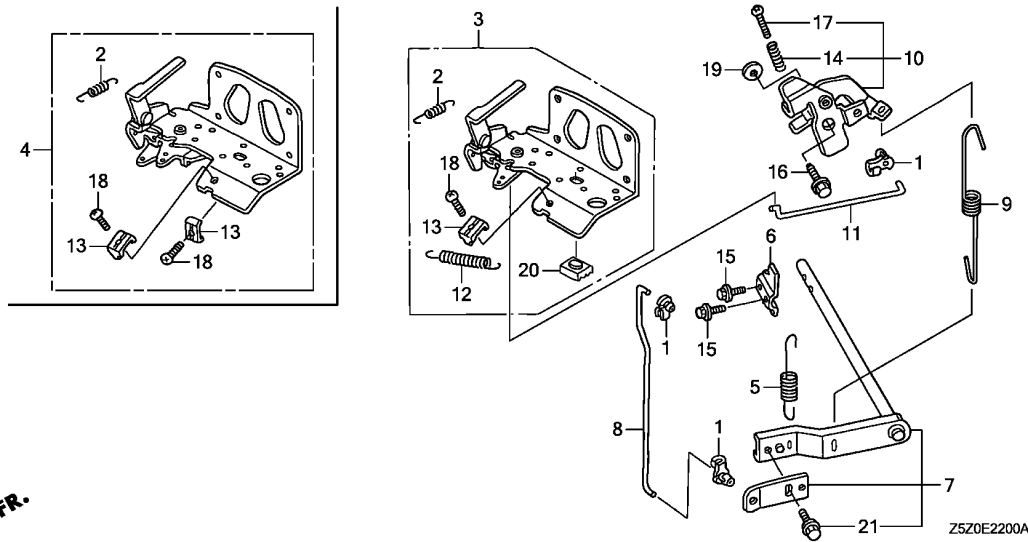
Ref. No.	Part No.	Description	Reqd. QTY				Serial No.	Parts catalogue code
			GCV 520 U	GCV 520 R	GCV 530 U	GCV 530 R		
16	31220-PH9-004	NUT, HEX., 8MM .....	1	1	1	1		
17	31223-PA0-006	NUT, HEX. ....	2	2	2	2		
18	31231-PH9-004	HOLDER, BRUSH .....	1	1	1	1		
19	31233-PH9-004	INSULATOR, BRUSH HOLDER .....	1	1	1	1		
20	95701-10040-00	BOLT, FLANGE, 10X40 .....	2	2	2	2		



Ref. No.	L.O.N.	(Relative ref. Number) Description	F.R.T.
2	8101Q9	SPRING, CHOKE RETURN .....	0.1
3		(4)	
	1161A5	CONTROL, THROTTLE/GOVERNOR ...	0.2
5	1161C1	SPRING, STARTER .....	0.1
7	1161A0	ARM, GOVERNOR .....	0.5
8	1161B1	ROD, GOVERNOR .....	0.2
9	1161C5	SPRING, GOVERNOR .....	0.1
10	1161E5	LINK, GOVERNOR .....	0.2
11	1161E6	ROD, GOVERNOR LINK .....	0.1
12	1161C0	SPRING, LEVER .....	0.1

Ref. No.	Part No.	Description	Reqd. QTY				Serial No.	Parts catalogue code
			GCV 520 U	GCV 520 R	GCV 530 U	GCV 530 R		
1	16263-ZJ7-871	ROD, JOINT .....	3	3	3	3		
2	16268-Z0A-300	SPRING, CHOKE RETURN .....	1	1	1	1		
3	16500-Z0A-000	CONTROL ASSY. (1-LEVER) .....	1	-	1	1	-----	AEE1,CEE9,QEA1,SEE4,WEE1
			-	1	-	-		
4	16500-Z0A-800	CONTROL ASSY. (2-LEVER) .....	1	-	1	1	-----	PEE9,QEA9,SEE2
5	16534-Z0A-000	SPRING, STARTER .....	1	1	1	1		
6	16542-Z0A-000	FORK, GOVERNOR .....	1	1	1	1		
7	16550-Z0A-000	ARM COMP., GOVERNOR .....	1	1	1	1		
8	16555-Z0A-000	ROD, GOVERNOR .....	1	1	1	1		
9	16561-Z0A-000	SPRING, GOVERNOR .....	1	1	1	1		
10	16565-Z0A-000	LINK COMP., GOVERNOR .....	1	1	1	1		
11	16566-Z0A-000	ROD, GOVERNOR LINK .....	1	1	1	1		
12	16574-Z0A-300	SPRING, LEVER .....	1	-	1	1	-----	AEE1,CEE9,QEA1,SEE4,WEE1
			-	1	-	-		
13	16576-891-000	HOLDER, CABLE .....	1	-	1	1	-----	AEE1,CEE9,QEA1,SEE4,WEE1
			2	-	2	2	-----	PEE9,QEA9,SEE2
			-	1	-	-		
14	16584-883-300	SPRING, CONTROL ADJUSTING ...	1	1	1	1		
15	90002-892-000	BOLT, FLANGE, 5X10 .....	2	2	2	2		
16	90015-Z0A-000	BOLT, FLANGE, 6MM(CT200) .....	1	1	1	1		
17	90016-ZG9-N30	SCREW, RECESSED, 5X25 .....	1	1	1	1		
18	93500-05016-0A	SCREW, PAN, 5X16 .....	1	-	1	1	-----	AEE1,CEE9,QEA1,SEE4,WEE1
			2	-	2	2	-----	PEE9,QEA9,SEE2
			-	1	-	-		
19	94101-06000	WASHER, PLAIN, 6MM .....	1	1	1	1		



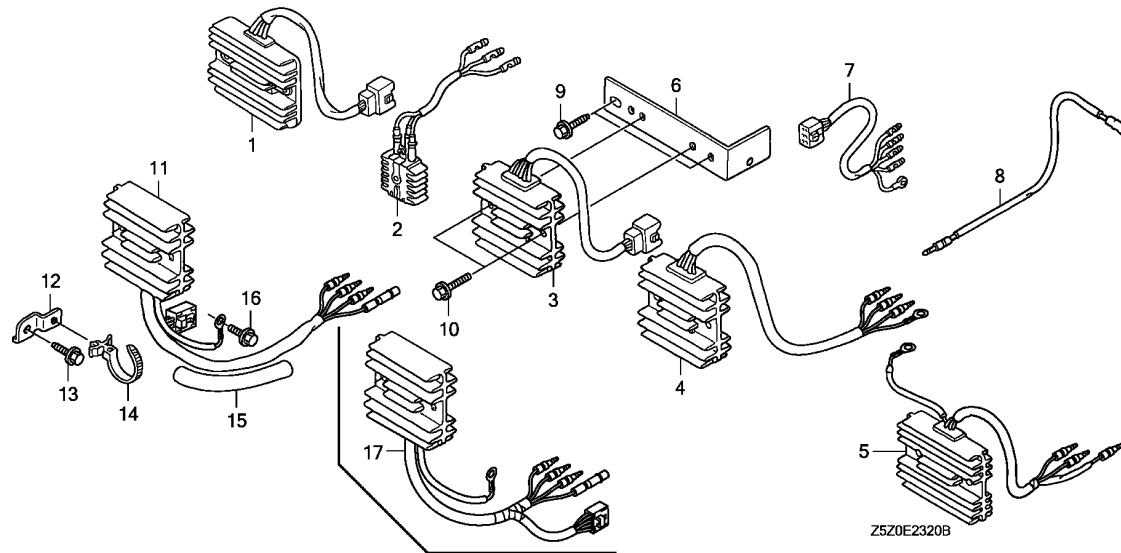


Ref. No.	Part No.	Description	Reqd. QTY				Serial No.	Parts catalogue code
			GCV 520 U	GCV 520 R	GCV 530 U	GCV 530 R		
20	95011-61000	RUBBER A, STAND STOPPER .....	1	-	1	1	-----	AEE1,CEE9,QEA1,SEE4,WEE1
21	95701-06010-00	BOLT, FLANGE, 6X10 .....	1	1	1	1		

# E-23-20

# REGULATOR RECTIFIER

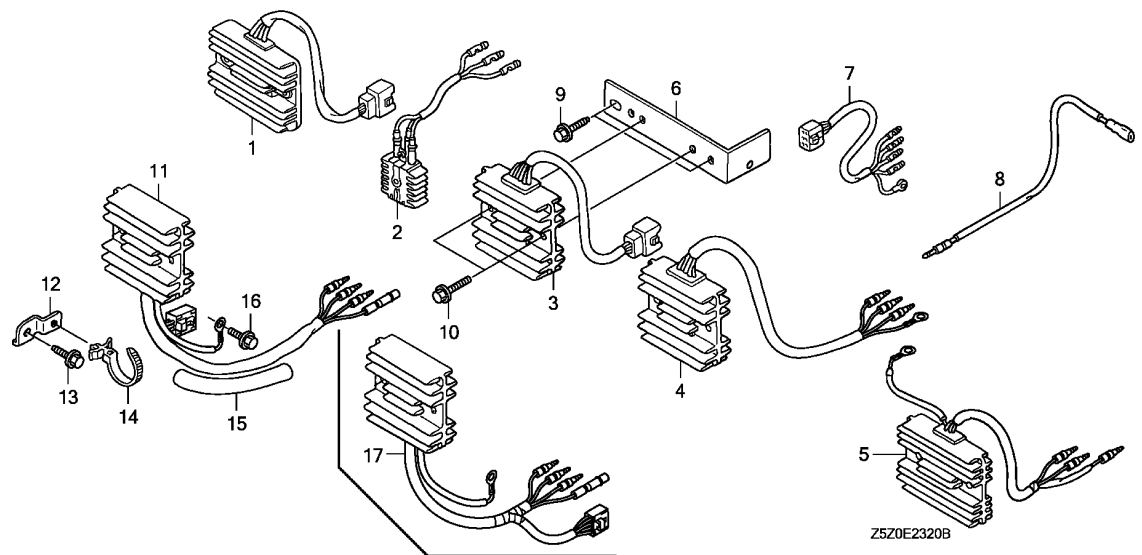
**D10**



Ref. No.	L.O.N.	(Relative ref. Number) Description	F.R.T.
1		(3,4,5,11,17)	
1	6131B7	RECTIFIER, REGULATOR .....	0.2
2	6131C7	RECTIFIER, REGULATOR(A) .....	0.1
8	6111E6	HARNESS, REGULATOR RECTIFIER ..	0.1

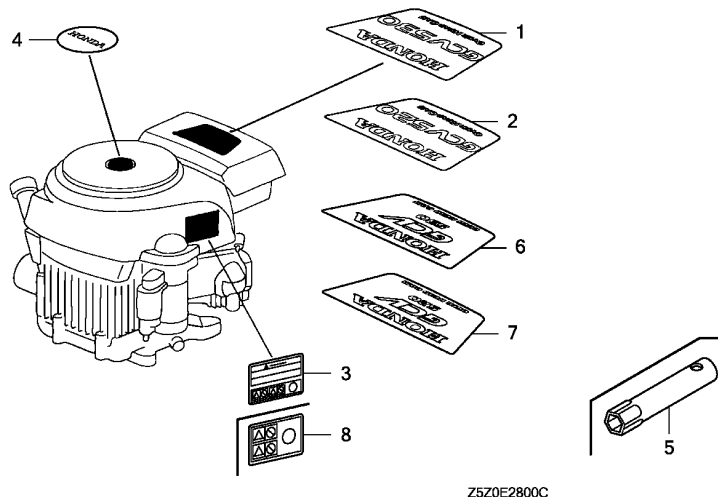
Ref. No.	Part No.	Description	Reqd. QTY				Serial No.	Parts catalogue code
			GCV 520 U	GCV 520 R	GCV 530 U	GCV 530 R		
1	31620-ZG5-013	RECTIFIER ASSY., REGULATOR (20A)	1	-	-	-	1004891	WEE1
	31620-ZG5-023	.....	1	-	-	-	1004892	1005815 WEE1
	31620-ZG5-033	.....	1	-	-	-	1005816	WEE1
			-	1	-	-		WEE1
2	31710-ZJ1-812	RECTIFIER ASSY. (10A) .....	(1)	-	(1)	(1)		QEA1, QEA9
3	31750-Z0A-811	RECTIFIER ASSY., REGULATOR ..	-	-	1	1		SEE2
			-	-	1	-	1005447	SEE2
4	31750-Z0A-821	RECTIFIER ASSY., REGULATOR ..	1	1	-	-		CEE9
			-	-	1	1		SEE2
			-	-	1	-		CEE9
5	31750-Z0A-831	RECTIFIER ASSY., REGULATOR ..	-	-	1	-	1013612	CEE9
	31750-Z0A-832	.....	-	-	1	-	1013613	CEE9
			-	-	-	1		CEE9
6	31758-Z0A-800	BRACKET, REGULATOR .....	-	-	1	1		SEE2
7	32105-ZJ1-800	HARNESS ASSY., SUB WIRE .....	1	1	1	1		SEE2
			-	-	1	-	1005447	SEE2
8	32105-Z0A-000	HARNESS ASSY., SUB WIRE .....	1	1	1	1		SEE2
9	90014-952-000	BOLT, FLANGE, 6X14(CT200) ...	-	-	2	2		SEE2
10	95701-06020-00	BOLT, FLANGE, 6X20 .....	-	-	2	2		SEE2
11	31750-Z0A-801	RECTIFIER ASSY., REGULATOR ..	-	-	1	-	1005448	1010379 SEE2
12	35806-752-630	BASE, CLIP .....	-	-	1	-	1005448	SEE2
			-	-	-	1		SEE2
13	90013-883-000	BOLT, FLANGE, 6X12(CT200) ...	-	-	1	-	1005448	SEE2
			-	-	-	1		SEE2
14	90672-SB2-003	STRAP, CABLE, 105MM(BLACK) ..	-	-	1	-	1005448	SEE2
			-	-	-	1		SEE2

**2**



Ref. No.	Part No.	Description	Reqd. QTY				Serial No.	Parts catalogue code
			GCV 520 U	GCV 520 R	GCV 530 U	GCV 530 R		
15	91406-ZB3-740	TUBE, CORD .....	-	-	1	-	1005448 ----- SEE2	----- SEE2
16	95701-06008-00	BOLT, FLANGE, 6X8 .....	-	-	1	-	1005448 ----- SEE2	----- SEE2
17	31750-Z0A-861	RECTIFIER ASSY., REGULATOR ..	-	-	1	-	1010380 ----- SEE2	----- SEE2



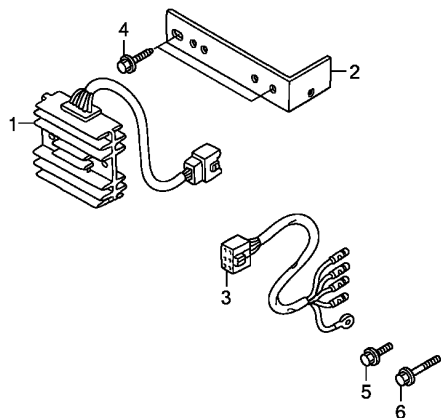


Ref. L.O.N. (Relative ref. Number) F.R.T.  
No. Description

NO INFORMATION .....

Ref. No.	Part No.	Description	Reqd. QTY				Serial No.	Parts catalogue code
			GCV 520 U	GCV 520 R	GCV 530 U	GCV 530 R		
1	87101-Z0A-000	MARK, EMBLEM (GCV530) .....	-	-	1	-	1009352	
2	87101-Z0N-000	MARK, EMBLEM (GCV520) .....	1	-	-	-	1004891	CEE9, QEA1, QEA9, SEE4
3	87516-ZH7-000	MARK, OPERATOR CAUTION (ENGLISH) (MADE IN JAPAN)	1	1	1	1		
	87516-ZH7-800	MARK, OPERATOR CAUTION (FRENCH) (MADE IN JAPAN)	1	1	1	1		
4	87531-Z0A-010	MARK, HONDA .....	1	-	1	1	-----	AEE1, QEA1, QEA9, SEE4
5	89216-ZB4-000	WRENCH, PLUG .....	-	-	1	1	-----	AEE1
6	87101-Z0A-010	MARK, EMBLEM (GCV530) .....	-	-	1	-	1009353	
			-	-	-	1		
7	87101-Z0N-010	MARK, EMBLEM (GCV520) .....	1	-	-	-	1004892	----- CEE9, QEA1, QEA9, SEE4
			-	1	-	-	-----	CEE9
8	87516-ZH7-810	MARK, OPERATOR CAUTION (PICTOGRAPH) (MADE IN JAPAN)	(1)	(1)	(1)	(1)		





Z5Z0E4000A

Ref. (Relative ref. Number)  
No. L.O.N. Description F.R.T.

NO INFORMATION .....

Ref. No.	Part No.	Description	Reqd. QTY				Serial No.	Parts catalogue code
			GCV 520 U	GCV 520 R	GCV 530 U	GCV 530 R		
1	31750-Z0A-811	RECTIFIER ASSY., REGULATOR ..	1	-	-	-	-----	SEE4
2	31758-Z0A-800	BRACKET, REGULATOR .....	1	-	-	-	-----	SEE4
3	32105-ZJ1-800	HARNESS ASSY., SUB WIRE .....	1	-	-	-	-----	SEE4
4	90014-952-000	BOLT, FLANGE, 6X14(CT200) ...	2	-	-	-	-----	SEE4
5	95701-06008-00	BOLT, FLANGE, 6X8 .....	1	-	-	-	-----	SEE4
6	95701-06020-00	BOLT, FLANGE, 6X20 .....	2	-	-	-	-----	SEE4

# PART NO. INDEX

E 1

Part Number	Address	Page	Ref.	Part Number	Address	Page	Ref.	Part Number	Address	Page	Ref.	Part Number	Address	Page	Ref.
11000				16013-ZOA-004	C15	30	3	18000				31214-PH9-004	D6	37	12
11100-ZOA-405	C3	18	1	16015-ZOA-802	C15	30	4	18310-ZOA-801	D1	32	1	31217-ZOA-003	D6	37	13
11100-ZOA-408	C3	18	1	16016-ZOA-004	C15	30	5	18321-ZJ1-841	D1	32	2	31218-P64-N01	D6	37	14
11100-ZOA-417	C3	18	1	16024-ZOA-004	C15	30	6	18325-ZOA-800	D1	32	3	31218-PH9-004	D6	37	14
11300-ZOA-010	C4	19	1	16028-ZOA-004	C16	31	23	18330-ZOA-801	D1	32	4	31219-ZOA-003	D6	37	15
11300-ZOA-811	C4	19	1	16028-ZON-004	C16	31	23	18330-ZOA-801	D1	32	4	31220-PH9-004	D7	38	16
				16100-ZOA-805	C15	30	7	18331-ZOA-800	D1	32	5	31223-PA0-006	D7	38	17
				16100-ZOA-815	C15	30	7	18333-ZOA-000	D1	32	6	31231-PH9-004	D7	38	18
12000				16100-ZON-805	C15	30	7	18337-ZOA-800	D1	32	7	31233-PH9-004	D7	38	19
12100-ZOA-405	C1	16	1	16100-ZON-815	C15	30	7	18338-ZOA-800	D1	32	8	31620-ZG5-013	D10	41	1
12209-422-005	C7	22	14	16139-ZOA-004	C15	30	8	18339-ZOA-800	D1	32	9	31620-ZG5-023	D10	41	1
12311-ZOA-000	C1	16	3	16168-ZOA-004	C15	30	9	18355-ZJ1-801	D1	32	10	31620-ZG5-033	D10	41	1
12356-ZOA-000	C3	18	2	16178-ZOA-802	C15	30	10	18396-ZJ1-003	D1	32	11	31630-ZOA-003	D5	36	4
12358-ZOA-000	C3	18	3	16200-ZOA-802	C15	30	11					31630-ZOA-801	D5	36	5
12372-ZA0-701	C3	18	4	16211-ZOA-000	C15	30	12	19000				31630-ZOA-811	D5	36	6
12374-ZOA-000	C3	18	5	16212-ZOA-000	C15	30	13					31635-ZOA-000	D5	36	7
				16263-ZJ7-871	D8	39	1	19511-ZOA-000	D4	35	1	31710-ZJ1-812	D10	41	2
				16268-ZOA-300	D8	39	2	19513-ZOA-000	D4	35	2	31740-ZOA-003	D5	36	8
13000				16500-ZOA-000	D8	39	3	19611-ZOA-010ZA	C12	27	10	31750-ZOA-801	D10	41	11
13010-ZOA-003	C6	21	1	16500-ZOA-800	D8	39	4	19611-ZOA-010ZC	C12	27	10	31750-ZOA-811	D10	41	3
13010-ZOA-014	C6	21	1	16510-ZOA-000	C4	19	6	19611-ZOA-801ZA	C12	27	10		D13	44	1
13010-Z5Z-004	C6	21	1	16511-ZOA-000	C4	19	22	19611-ZOA-801ZC	C12	27	10	31750-ZOA-821	D10	41	4
13101-ZOA-000	C6	21	2	16512-ZOA-000	C4	19	23	19612-ZOA-000	C12	27	11	31750-ZOA-831	D10	41	5
13101-ZOA-010	C6	21	2	16513-ZE2-000	C4	19	24	19620-ZE3-L60ZC	C12	27	12	31750-ZOA-832	D10	41	5
13111-ZJ1-840	C6	21	3	16520-ZOA-000	C4	19	7	19620-ZE3-L60ZD	C12	27	12	31750-ZOA-861	D11	42	17
13200-ZOA-003	C6	21	4	16531-ZOA-000	C4	19	8	19631-ZOA-000	C1	16	7	31758-ZOA-800	D10	41	6
13310-ZOA-000	C5	20	1	16534-ZOA-000	D8	39	5						D13	44	2
				16542-ZOA-000	D8	39	6	28000				32000			
				16550-ZOA-000	D8	39	7	28405-ZOA-000ZA	C12	27	13	32105-ZOA-000	D10	41	8
14000				16555-ZOA-000	D8	39	8	28405-ZOA-000ZC	C12	27	13	32105-ZJ1-800	D10	41	7
14320-ZOA-000	C7	22	1	16561-ZOA-000	D8	39	9	28406-ZOA-000	C12	27	14		D13	44	3
14324-ZL8-000	C7	22	2	16565-ZOA-000	D8	39	10	28452-ZOA-000ZA	C13	28	15	32768-PJ7-000	D5	36	9
14400-ZOA-003	C7	22	3	16566-ZOA-000	D8	39	11	28452-ZOA-000ZC	C13	28	15				
14431-ZOA-000	C7	22	4	16574-ZOA-300	D8	39	12	28452-ZOA-810	C13	28	16	35000			
14441-ZOA-000	C7	22	5	16576-891-000	D8	39	13					35806-752-630	D10	41	12
14461-ZOA-000	C7	22	6	16584-883-300	D8	39	14	30000				87000			
14711-ZOA-000	C7	22	7	16700-ZL8-013	D2	33	1	30201-PH9-004	D6	37	1				
14721-ZOA-000	C7	22	8	16711-ZOA-000	C12	27	1	30202-PZ1-003	D6	37	2	87101-ZOA-000	D12	43	1
14751-ZE1-000	C7	22	9	16882-ZOA-000	D2	33	2	30500-ZOA-033	D5	36	1	87101-ZOA-010	D12	43	6
14771-ZE1-000	C7	22	10	16910-ZV4-015	D2	33	3	30509-ZOA-000	D5	36	2	87101-ZON-000	D12	43	2
								30550-ZOA-033	D5	36	3	87101-ZON-010	D12	43	7
15000				17000								87516-ZH7-000	D12	43	3
15100-ZOA-801	C4	19	2	17100-ZOA-000	C1	16	4	31110-ZOA-000	D4	35	3	87516-ZH7-800	D12	43	3
15161-ZOA-000	C4	19	3	17101-ZOA-000	C1	16	5	31110-ZOA-800	D4	35	3	87516-ZH7-810	D12	43	8
15400-PFB-004	C3	18	6	17151-ZOA-000	C1	16	6	31200-ZOA-013	D6	37	3	87531-ZOA-010	D12	43	4
15400-PFB-014	C3	18	6	17211-ZOA-013	C12	27	2	31203-PH9-004	D6	37	4	89000			
15550-ZOA-810	C4	19	4	17212-ZOA-000	C12	27	3	31204-ZOA-013	D6	37	3	89216-ZB4-000	D12	43	5
15625-ZE1-003	C4	19	5	17218-ZOA-810	C12	27	4	31204-ZG4-801	D6	37	5	90000			
15631-ZOA-000	C3	18	7	17228-ZOA-003	C12	27	5	31207-ZOA-003	D6	37	6	90001-ZN1-000	C6	21	5
15633-ZOA-300	C3	18	19	17229-ZOA-000	C12	27	6	31208-ZOA-003	D6	37	7	90002-892-000	C3	18	10
15655-ZOA-000	C3	18	8	17231-ZOA-000	C12	27	7	31209-PH9-004	D6	37	8		D8	39	15
15721-ZOA-000	C3	18	9	17238-ZJ4-830	C12	27	8	31210-PH9-004	D6	37	9	92800-20000	C4	19	14
				17410-ZOA-010	C12	27	9	31211-PH9-004	D6	37	10	92900-08028-0E	C3	18	16
16000				17410-Z6A-000	C13	28	30	31212-PH9-004	D6	37	11				
16010-ZOA-802	C15	30	1												
16011-ZOA-004	C15	30	2												

3



# PART NO. INDEX

E 2

Part Number	Address	Page	Ref.	Part Number	Address	Page	Ref.	Part Number	Address	Page	Ref.	Part Number	Address	Page	Ref.
93000				98079-55855	C1	16	14								
93500-05016-0A	D8	39	18	99000											
93894-05016-00	D2	33	4												
93913-24410	C13	28	23	99131-Z0A-0710	C15	30	20								
93913-24780	C13	28	24	99131-Z0A-0730	C15	30	20								
					C16	31	21								
94000				99131-Z0A-0760	C16	31	20								
							21								
94050-06000	D1	32	14	99131-Z0A-0780	C16	31	21								
94050-06070	C13	28	25	99131-Z0A-0820	C16	31	20								
94101-06000	D8	39	19	99131-Z0A-0850	C16	31	20								
94101-06800	C4	19	15				21								
94103-06800	C13	28	26	99131-Z0A-0870	C16	31	20								
94109-20000	C4	19	16				21								
94301-08140	C3	18	17	99131-Z0A-0900	C16	31	21								
	C4	19	17	99134-Z0A-0350	C16	31	22								
				99134-Z0A-0370	C16	31	22								
95000															
95001-55100-40	D2	33	5												
95001-55350-40	D2	33	6												
95002-02080	C15	30	16												
95002-02100	C14	29	32												
	D2	33	7												
95002-02650	C15	30	17												
95002-41000-08	D3	34	8												
95003-07030-31	C15	30	18												
95005-45400-20	C15	30	19												
95011-61000	D9	40	20												
95701-06008-00	D1	32	15												
	D11	42	16												
	D13	44	5												
95701-06008-07	C13	28	27												
95701-06010-00	D1	32	16												
	D9	40	21												
95701-06012-00	C13	28	28												
95701-06016-00	C4	19	18												
	D1	32	17												
95701-06020-00	D10	41	10												
	D13	44	6												
95701-06022-00	C4	19	19												
95701-06030-00	C1	16	13												
	C4	19	20												
95701-08014-00	D1	32	18												
95701-08035-00	D1	32	19												
95701-08040-00	C4	19	21												
95701-10040-00	D7	38	20												
95801-06100-00	C13	28	29												
96000															
96100-62070-00	C3	18	18												
98000															
98079-54846	C1	16	14												
98079-54855	C1	16	14												
98079-55846	C1	16	14												

3

# PART NAME INDEX

F 1

Part name	Address	Page	Ref.	Part name	Address	Page	Ref.	Part name	Address	Page	Ref.
[ A ]								[ E ]			
ARMATURE COMP. ....	D6	37	13	BOLT, STUD, 6X28 .....	C1	16	10	ELBOW COMP., AIR CLEANER.....	C12	27	9
ARM COMP., GOVERNOR .....	D8	39	7	BOLT, STUD, 8X28 .....	C3	18	16		C13	28	30
ARM, EX. VALVE ROCKER .....	C7	22	5	BOLT, THROUGH .....	D6	37	12	ELEMENT, AIR CLEANER.....	C12	27	2
ARM, IN. VALVE ROCKER .....	C7	22	4	BRACKET, LOWER MUFFLER .....	D1	32	9	EXTENSION, OIL FILLER.....	C3	18	7
ARRESTER, SPARK .....	D1	32	10	BRACKET, MUFFLER .....	D1	32	7				
				BRACKET, RECOIL MOUNT .....	C12	27	14	[ F ]			
				BRACKET, REGULATOR .....	D10	41	6	FAN, COOLING.....	D4	35	1
					D13	44	2	FILTER, OUTER.....	C12	27	4
				BRACKET, UPPER MUFFLER .....	D1	32	8	FLOAT SET.....	C15	30	3
				BRUSH.....	D6	37	10	FLYWHEEL COMP. ....	D4	35	3
[ B ]				[ C ]							
BAND ASSY. ....	D1	32	11	CAP .....	C15	30	9	FORK, GOVERNOR.....	D8	39	6
BASE, CLIP .....	D10	41	12	CAP ASSY., DRAIN .....	C4	19	4	FRAME COMP., COMMUTATOR END...	D6	37	15
BEARING A .....	D6	37	8	CAP, SEALING .....	C1	16	12				
BEARING B .....	D6	37	9		C13	28	31	[ G ]			
BEARING, RADIAL BALL, 6207 ...	C3	18	18	CARBURETOR ASSY. ....	C15	30	7	GASKET.....	C15	30	10
BELT, TIMING .....	C7	22	3	CARTRIDGE, OIL FILTER.....	C3	18	6	GASKET SET.....	C15	30	1
BOLT, AIR CLEANER, 6MM .....	C13	28	17	CHAMBER SET, FLOAT .....	C15	30	4	GASKET, EX. PIPE.....	D1	32	6
BOLT, CONNECTING ROD, 6X37 ...	C6	21	5	CLAMP, CENTER CORD .....	D5	36	9	GAUGE COMP., OIL LEVEL.....	C3	18	8
BOLT, DRAIN PLUG, 20MM .....	C4	19	14	CLAMP, TUBE .....	D3	34	8	GOVERNOR ASSY. ....	C4	19	6
BOLT, FLANGE, 10X40 .....	D7	38	20	CLIP, GOVERNOR HOLDER .....	C4	19	10	GRID, AIR CLEANER.....	C12	27	3
BOLT, FLANGE, 16X35 .....	D4	35	4	CLIP, PISTON PIN, 18MM .....	C6	21	6	GRID, SCREEN.....	C13	28	15
BOLT, FLANGE, 5X10 .....	C3	18	10	CLIP, TUBE .....	C14	29	32				
	D8	39	15		C15	30	16				
BOLT, FLANGE, 6MM .....	D8	39	16					[ H ]			
BOLT, FLANGE, 6X10 .....	D1	32	16	CLIP, WIRE HARNESS .....	D2	33	7	HARNESS ASSY., SUB WIRE.....	D10	41	7
	D9	40	21		C15	30	15		D13	44	3
BOLT, FLANGE, 6X100 .....	C13	28	29	CLIP, WIRE HARNESS, 6MM .....	D5	36	16	HOLDER, BRUSH.....	D7	38	18
BOLT, FLANGE, 6X12 .....	C1	16	8	CLUTCH COMP., OVERRUNNING .....	D6	37	6	HOLDER, CABLE.....	D8	39	13
	C13	28	28	COIL ASSY., CHARGE .....	D5	36	4	HOLDER, GOVERNOR WEIGHT.....	C4	19	23
	D5	36	10					HOLDER, OIL FILTER.....	C3	18	12
	D10	41	13	COIL ASSY., IGNITION .....	D5	36	1	HOUSING COMP., DRIVE SIDE.....	D6	37	7
BOLT, FLANGE, 6X14 .....	C13	28	18	COLLAR A, AIR CLEANER .....	C12	27	8				
	D1	32	12	COLLAR SET, CLUTCH STOP .....	D6	37	2	[ I ]			
	D10	41	9	COLLAR, EXTENSION .....	C3	18	19	INSULATOR, BRUSH HOLDER.....	D7	38	19
	D13	44	4	COLLAR, IGNITION COIL .....	D5	36	2	INSULATOR, CARBURETOR.....	C15	30	12
BOLT, FLANGE, 6X16 .....	C4	19	18	CONTROL ASSY. ....	D8	39	3				
	D1	32	17	COVER SET, AIR VENT .....	C15	30	8	[ J ]			
BOLT, FLANGE, 6X20 .....	D1	32	13	COVER, AIR CLEANER .....	C12	27	7	JET, MAIN,.....	C15	30	20
	D10	41	10	COVER, BREATHER .....	C3	18	2		C16	31	20
	D13	44	6	COVER, FAN .....	C12	27	10				21
BOLT, FLANGE, 6X22 .....	C4	19	19	COVER, HEAD .....	C1	16	3	JET, PILOT,.....	C16	31	22
BOLT, FLANGE, 6X25 .....	C3	18	13	CRANKCASE ASSY. ....	C3	18	1				
BOLT, FLANGE, 6X28 .....	D5	36	11	CRANKSHAFT COMP. ....	C5	20	1	[ K ]			
BOLT, FLANGE, 6X30 .....	C1	16	13	CYLINDER COMP. ....	C1	16	1	KEY, SPECIAL WOODRUFF, 25X18..	C5	20	3
	C4	19	20					[ L ]			
BOLT, FLANGE, 6X32 .....	D5	36	13	DIODE ASSY., ENGINE STOP .....	D5	36	8	LEVER, PINION DRIVE.....	D6	37	4
BOLT, FLANGE, 6X45 .....	C1	16	9	DOWEL PIN, 8X14 .....	C3	18	17	LINK COMP., GOVERNOR.....	D8	39	10
	C3	18	11		C4	19	17				
BOLT, FLANGE, 6X8 .....	D5	36	12								
	D1	32	15								
	D11	42	16								
	D13	44	5								
BOLT, FLANGE, 8X14 .....	D1	32	18								
BOLT, FLANGE, 8X35 .....	D1	32	19								
BOLT, FLANGE, 8X40 .....	C4	19	21								
BOLT, L. STUD .....	C13	28	20								
BOLT, R. STUD .....	C13	28	21								

# PART NAME INDEX

F 2

Part name	Address	Page	Ref.	Part name	Address	Page	Ref.	Part name	Address	Page	Ref.
[ M ]				[ R ]				[ V ]			
MANIFOLD ASSY., INTAKE .....	C1	16	4	RECTIFIER ASSY. ....	D10	41	2	TUBE, FUEL, 5.3X100 .....	D2	33	5
MANIFOLD, INTAKE .....	C1	16	5	RECTIFIER ASSY., REGULATOR .....	D10	41	1	TUBE, FUEL, 5.3X350 .....	D2	33	6
MARK, EMBLEM .....	D12	43	1					TUBE, VINYL, 4X7X300 .....	C15	30	18
			2					[ W ]			
			6					VALVE ASSY., SOLENOID .....	C15	30	11
			7					VALVE, EX. ....	C7	22	8
MARK, HONDA .....	D12	43	4		D11	42	17	VALVE, FLOAT .....	C15	30	2
MARK, OPERATOR CAUTION .....	D12	43	3		D13	44	1	VALVE, IN. ....	C7	22	7
			8	RETAINER, IN. VALVE SPRING .....	C7	22	10	[ Y ]			
MOTOR ASSY., STARTER .....	D6	37	3	RING SET, PISTON .....	C6	21	1	YOKE COMP. ....	D6	37	14
MUFFLER COMP. ....	D1	32	1	RING, SNAP .....	D6	37	1				
[ N ]				ROD ASSY., CONNECTING .....	C6	21	4	WASHER, 6X16 .....	C4	19	9
NUT, FLANGE, 6MM .....	C13	28	22	ROD, GOVERNOR .....	D8	39	8	WASHER, DRAIN PLUG, 20MM .....	C4	19	16
			25	ROD, GOVERNOR LINK .....	D8	39	11	WASHER, PLAIN, 6MM .....	C4	19	15
			14	ROD, JOINT .....	D8	39	1		C13	28	26
NUT, FLANGE, 8MM .....	C1	16	11	RUBBER A, STAND STOPPER .....	D9	40	20		D8	39	19
NUT, HEX. ....	D7	38	17	[ S ]				WASHER, TANK SETTING .....	D5	36	14
NUT, HEX., 8MM .....	D7	38	16	SCREW-WASHER, 5X16 .....	D2	33	4	WASHER, THRUST .....	C5	20	2
NUT, TAPPET ADJUSTING .....	C7	22	12	SCREW SET .....	C15	30	5	WEIGHT, GOVERNOR .....	C4	19	22
[ O ]				SCREW SET, DRAIN .....	C15	30	6	WRENCH, PLUG .....	D12	43	5
OIL SEAL, 10X16X4.5 .....	C4	19	12	SCREW SET, PILOT .....	C16	31	23				
OIL SEAL, 31X50X8 .....	C4	19	11	SCREW, PAN, 5X16 .....	D8	39	18				
OIL SEAL, 35X52X8 .....	C3	18	14	SCREW, RECESSED, 5X25 .....	D8	39	17				
O-RING, 22.1X2.2 .....	C3	18	15	SCREW, TAPPET ADJUSTING .....	C7	22	11				
O-RING, 6.8X1.9 .....	C7	22	13	SCREW, TAPPING, 4X16 .....	C13	28	23				
O-RING, 7.5X2.3 .....	C4	19	13	SCREW, TAPPING, 4X30 .....	C13	28	24				
[ P ]				SEAL, AIR CLEANER CASE .....	C12	27	6				
PACKING, AIR CLEANER .....	C12	27	5	SEAL, VALVE STEM .....	C7	22	14				
	C15	30	14	SHAFT COMP., GOVERNOR .....	C4	19	7				
PACKING, BREATHER COVER .....	C3	18	3	SHAFT, CAM PULLEY .....	C7	22	2				
PACKING, INSULATOR .....	C15	30	13	SHAFT, ROCKER ARM .....	C7	22	6				
PACKING, INTAKE MANIFOLD .....	C1	16	6	SHROUD .....	C1	16	7				
PACKING, OIL FILLER CAP .....	C4	19	5	SLIDER, GOVERNOR .....	C4	19	8				
PAN ASSY., OIL .....	C4	19	1	SPACER, RECOIL STARTER .....							
PIN, GOVERNOR WEIGHT .....	C4	19	24	MOUNTING							
PIN, PISTON .....	C6	21	3	SPRING, BRUSH .....	C12	27	13				
PIPE COMP., EX. ....	D1	32	4	SPRING, CHOKE RETURN .....	D6	37	11				
PIPE, EX. ....	D1	32	5	SPRING, CONTROL ADJUSTING .....	D8	39	2				
PIPE, OIL PUMP .....	C4	19	3	SPRING, GOVERNOR .....	D8	39	14				
PISTON .....	C6	21	2	SPRING, GOVERNOR .....	D8	39	9				
PLATE, COIL SETTING .....	D5	36	7	SPRING, LEVER .....	D8	39	12				
PLATE, COOLING FAN SETTING .....	D4	35	2	SPRING, STARTER .....	D8	39	5				
PLATE, SIDE .....	C12	27	11	SPRING, VALVE .....	C7	22	9				
PLATE, VALVE .....	C3	18	4	STAY, FUEL PUMP .....	C12	27	1				
PLUG, SPARK .....	C1	16	14	STOPPER, VALVE .....	C3	18	5				
PROTECTOR COMP., FAN COVER .....	C12	27	12	STRAINER COMP., FUEL .....	D2	33	3				
PROTECTOR, MUFFLER .....	D1	32	2	STRAP, CABLE, 105MM .....	D10	41	14				
PROTECTOR, RR. MUFFLER .....	D1	32	3	SWITCH ASSY., MAGNET .....	D6	37	5				
PULLEY COMP., CAMSHAFT .....	C7	22	1	SWITCH ASSY., MAGNETIC .....	D6	37	5				
PUMP ASSY., FUEL .....	D2	33	1	[ T ]							
PUMP ASSY., OIL .....	C4	19	2	TUBE, 4.5X400 .....	C15	30	19				
				TUBE, BREATHER .....	C3	18	9				
				TUBE, CORD .....	D11	42	15				
				TUBE, DIAPHRAGM .....	D2	33	2				



---

**1**

**FOREWORD INDEX**

---

**2**

**ENGINE GROUP**

---

**3**

**PART NUMBER INDEX**

---

**4**

**PART NAME INDEX**

---

**HONDA**  
The Power of Dreams



# PARTS CATALOGUE NEWS

Honda Motor Co., Ltd. Service Division

## PARTS CATALOGUE - CORRECTED

Printed in Japan

CODE NO.	13Z5Z602
PARTS CATALOGUE NEWS	GCV520U GCV520R GCV530U GCV530R
NEWS NO.	001

Block No.	Ref. No.	Note	Part No.	Description	Reqd. QTY				Serial No.	Parts catalogue code	
					GCV 520 U	GCV 520 R	GCV 530 U	GCV 530 R			
E-18	5	L	91425-Z5Y-801	TUBE, FUEL, 5. 3X100(FKM) . . . . .	1	-	-	-	1000956		
						-	-	1	-	1001546 1014336	
						-	-	1	-	1014337	
	6	L	91425-Z5Y-811	TUBE, FUEL, 5. 3X350(FKM) . . . . .	1	-	-	-	1000956 -----	CEE9, SEE4, WEE1	
						-	-	1	-	1001546 1014336	AEE1, CEE9, PEE9, SEE2
						-	-	1	-	1014337 -----	AEE1, CEE9, PEE9, SEE2
	T	91425-Z5Y-812	.....	-	1	-	-	-----	AEE1, CEE9, PEE9, SEE2		

NOTE A:PART NO. CHANGE D:NEWLY PROVIDED E:PART NO.DELETION K:REQUIRED NO. CORRECTION L:APPLICATION SERIAL NO. CORRECTION  
T:APPLICATION CORRECTION Z:REMARKS CHANGE



# PARTS CATALOGUE NEWS

Honda Motor Co., Ltd. Service Division

## PARTS CATALOGUE - CORRECTED

Printed in Japan

CODE NO.	13Z5Z602
PARTS CATALOGUE NEWS	GCV520U GCV520R GCV530U GCV530R
NEWS NO.	002

Block No.	Ref. No.	Note	Part No.	Description	Reqd. QTY				Serial No.	Parts catalogue code	
					GCV 520 U	GCV 520 R	GCV 530 U	GCV 530 R			
E-18	5	L	91425-Z5Y-801	TUBE, FUEL, 5. 3X100(FKM) .....	1	-	-	-	1000956	----- QEA1, QEA9, SEE4	
					1	-	-	-	1000956	1008329 CEE9, WEE1	
					-	-	1	-	1001546	1014336	
			T	91425-Z5Y-802	.....	1	-	-	-	1008330	----- CEE9, WEE1
						-	1	-	1		
					-	-	1	-	1014337		

NOTE A:PART NO. CHANGE D:NEWLY PROVIDED E:PART NO.DELETION K:REQUIRED NO. CORRECTION L:APPLICATION SERIAL NO. CORRECTION  
T:APPLICATION CORRECTION Z:REMARKS CHANGE





# PARTS CATALOGUE NEWS

Honda Motor Co., Ltd. Service Division

## PARTS CATALOGUE - CORRECTED

Printed in Japan

CODE NO.	13Z5Z602
PARTS CATALOGUE NEWS	GCV520U GCV520R GCV530U GCV530R
NEWS NO.	003

Block No.	Ref. No.	Note	Part No.	Description	Reqd. QTY				Serial No.	Parts catalogue code			
					GCV 520 U	GCV 520 R	GCV 530 U	GCV 530 R					
E-18	6	L	91425-Z5Y-811	TUBE, FUEL, 5. 3X350(FKM) .....	1	-	-	-	1000956	-----	SEE4		
					1	-	-	-	1000956	1009468	CEE9, WEE1		
					-	-	1	-	1001546	1014336	AEE1, CEE9, PEE9, SEE2		
					1	-	-	-	1009469	-----	CEE9, WEE1		
			T	91425-Z5Y-812	.....	-	1	-	-	-	-	-	-
						-	-	1	-	1014337	-----	AEE1, CEE9, PEE9, SEE2	
						-	-	-	1	-----	-----	AEE1, CEE9, PEE9, SEE2	

NOTE A:PART NO. CHANGE D:NEWLY PROVIDED E:PART NO.DELETION K:REQUIRED NO. CORRECTION L:APPLICATION SERIAL NO. CORRECTION  
T:APPLICATION CORRECTION Z:REMARKS CHANGE



# PARTS CATALOGUE NEWS

Honda Motor Co., Ltd. Service Division

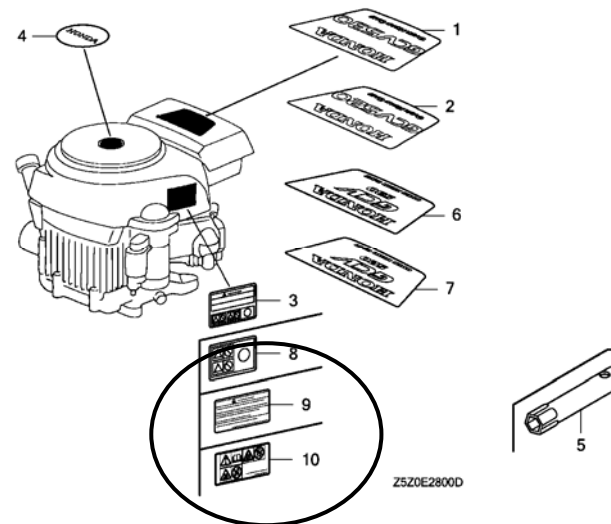
## PARTS CATALOGUE - CORRECTED

Printed in Japan

CODE NO.	13Z5Z602
PARTS CATALOGUE NEWS	GCV520U GCV520R GCV530U GCV530R
NEWS NO.	004

Block No.	Ref. No.	Note	Part No.	Description	Reqd. QTY				Serial No.	Parts catalogue code
					GCV 520 U	GCV 520 R	GCV 530 U	GCV 530 R		

E-28 LABEL/TOOL



E-28	3		87516-ZH7-000	MARK, OPERATOR CAUTION (ENGLISH) (MADE IN JAPAN)	1	1	-	-		
					-	-	1	1	-----	1017795

NOTE A:PART NO. CHANGE D:NEWLY PROVIDED E:PART NO.DELETION K:REQUIRED NO. CORRECTION L:APPLICATION SERIAL NO. CORRECTION  
T:APPLICATION CORRECTION Z:REMARKS CHANGE

## PARTS CATALOGUE NEWS

BOOKNo. : 13Z5Z602

Block No.	Ref. No.	Note	Part No.	Description	Reqd. QTY				Serial No.	Parts catalogue code
					GCV 520 U	GCV 520 R	GCV 530 U	GCV 530 R		
			87516-ZH7-800	MARK, OPERATOR CAUTION (FRENCH) (MADE IN JAPAN)	1	1	-	-		
					-	-	1	1	-----	1017795
	A		87516-ZH7-010	MARK, OPERATOR CAUTION (ENGLISH) (MADE IN JAPAN)	-	-	1	1		1017796
	A		87516-ZH7-801	MARK, OPERATOR CAUTION (FRENCH) (MADE IN JAPAN)	-	-	1	1		1017796
9	D		87516-ZH7-010	MARK, OPERATOR CAUTION (ENGLISH) (MADE IN JAPAN)	-	-	1	1		1017796
	D		87516-ZH7-801	MARK, OPERATOR CAUTION (FRENCH) (MADE IN JAPAN)	-	-	1	1		1017796
10	D		87519-ZH7-000	MARK, OPERATOR CAUTION (PICTOGRAPH)	-	-	1	1		1017796

NOTE A:PART NO. CHANGE D:NEWLY PROVIDED E:PART NO.DELETION K:REQUIRED NO. CORRECTION L:APPLICATION SERIAL NO. CORRECTION  
T:APPLICATION CORRECTION Z:REMARKS CHANGE